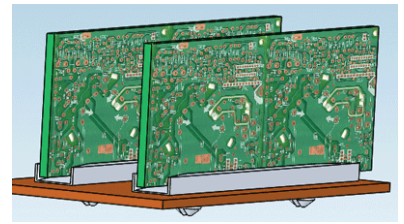
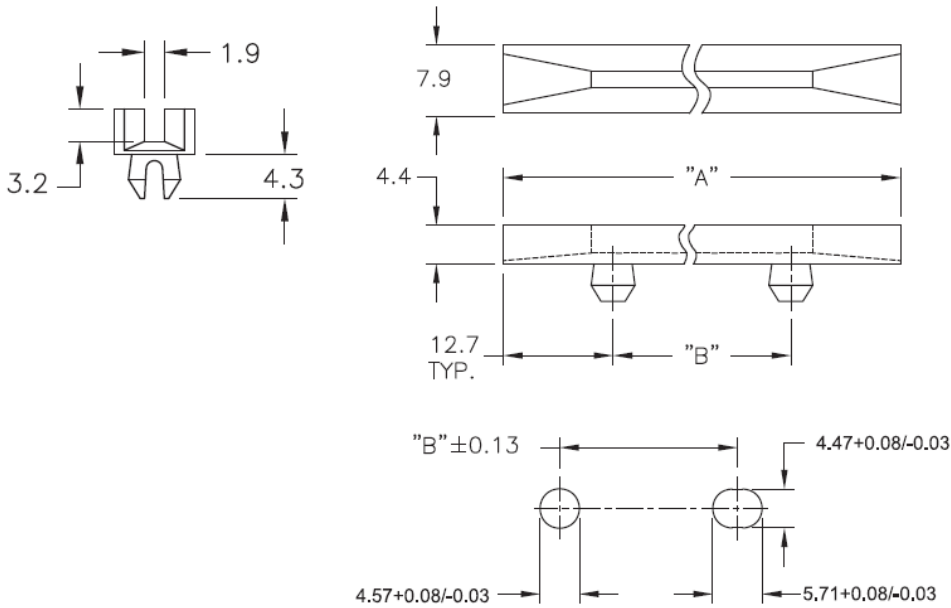


RSDC - Prowadnica do płytek drukowanych



Dane techniczne:

- **Nylon 6/6, UL 94 V-0, RMS-48 ***
- **Kolor:** naturalny - NAT
- Do płytek PCB: 1.6
- Minimum zakupu: 500 szt.

| Symbol | A | B ±0.4 | C | D | E |
|----------|-------|--------|------|------|------|
| | [mm] | [mm] | [mm] | [mm] | [mm] |
| RSDC-250 | 63.5 | 38.1 | 4.4 | 3.2 | 4.3 |
| RSDC-300 | 76.2 | 50.8 | 4.4 | 3.2 | 4.3 |
| RSDC-350 | 88.9 | 63.5 | 4.4 | 3.2 | 4.3 |
| RSDC-400 | 101.6 | 76.2 | 4.4 | 3.2 | 4.3 |
| RSDC-450 | 114.3 | 88.9 | 4.4 | 3.2 | 4.3 |
| RSDC-500 | 127 | 101.6 | 4.4 | 3.2 | 4.3 |
| RSDC-550 | 139.7 | 114.3 | 4.4 | 3.2 | 4.3 |
| RSDC-600 | 152.4 | 127 | 4.4 | 3.2 | 4.3 |
| RSDC-650 | 164.1 | 139.7 | 4.4 | 3.2 | 4.3 |
| RSDC-700 | 177.8 | 152.4 | 4.4 | 3.2 | 4.3 |
| RSDC-750 | 190.5 | 165.1 | 4.4 | 3.2 | 4.3 |
| RSDC-800 | 203.2 | 177.8 | 4.4 | 3.2 | 4.3 |