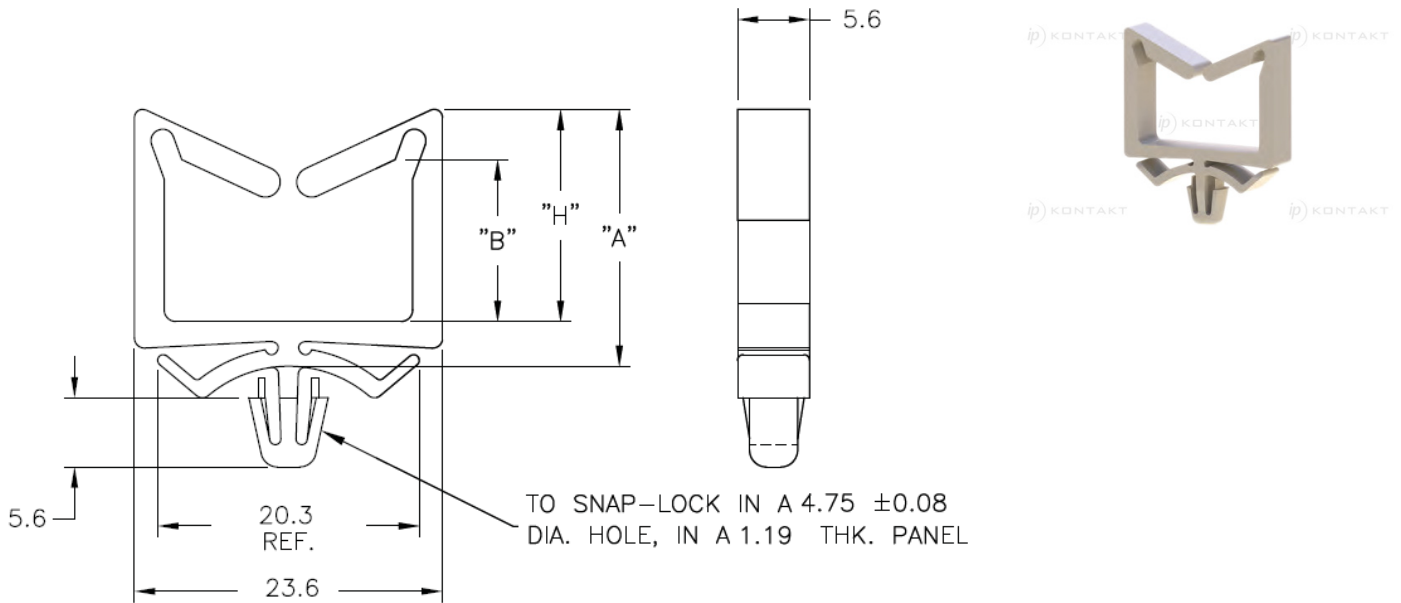


**WWS - Wide Wire Saddle**



**Details:**

- **Material:** Nylon 6/6, UL 94 V-2, RMS-01 \* or Nylon 6/6, UL 94 V-0, RMS-19 \*
- **Color:** natural
- Mounting hole: 4.75 mm
- Panel thickness: 1.19 mm
- Max. cable bundle dia.: 19.1 mm
- Standard pack: 1000 pcs

Symbol	A	B	H	Material	Flammability	Color
	[mm]	[mm]	[mm]			
WWS-A-3-01	28.4	21.6	25.1	PA 66	UL94 V-2	natural