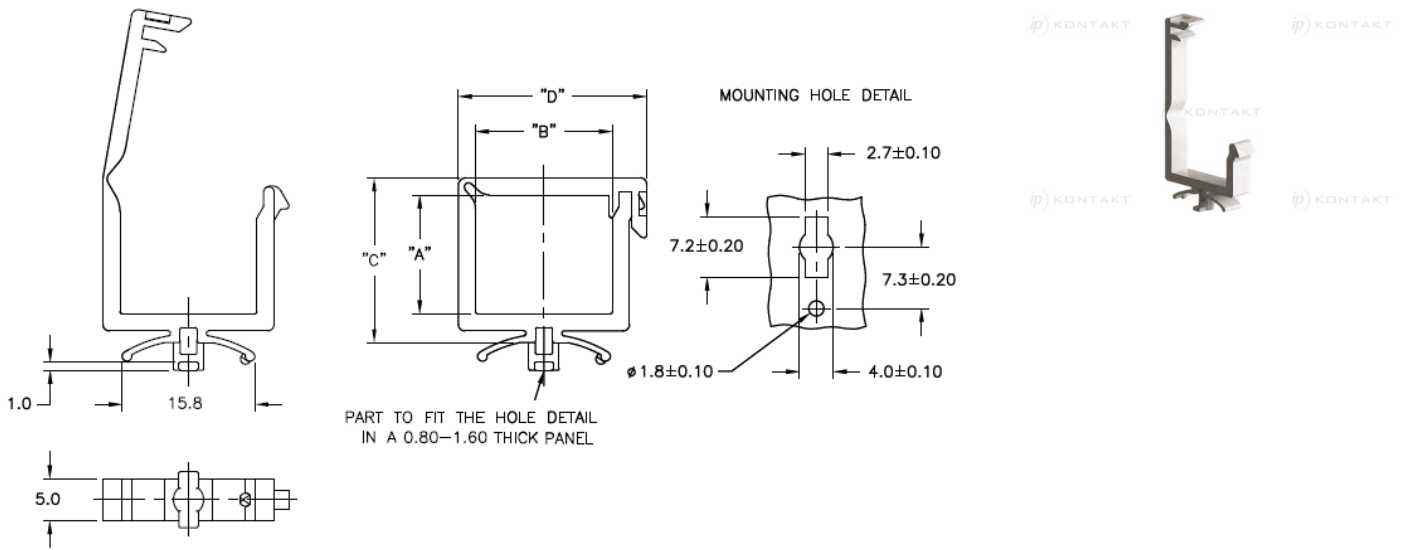


WSLT-9 - Wire Saddle, Locking Top Quarter-Turn Base



Details:

- **Nylon 6/6, UL 94 V-2, RMS-01 ***
- **Nylon 6/6, UL 94 V-0, RMS-19 ***
- **Color:** natural
- **Standard pack:** 1000/Back

Symbol	A	B	C	D	Material	Flammability	Color
	[mm]	[mm]	[mm]	[mm]			
WSLT-9-01-2-01	9.1	10.7	14.4	16.8	PA 66	UL94 V-2	natural