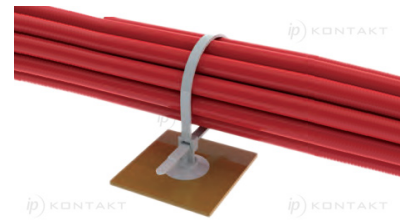
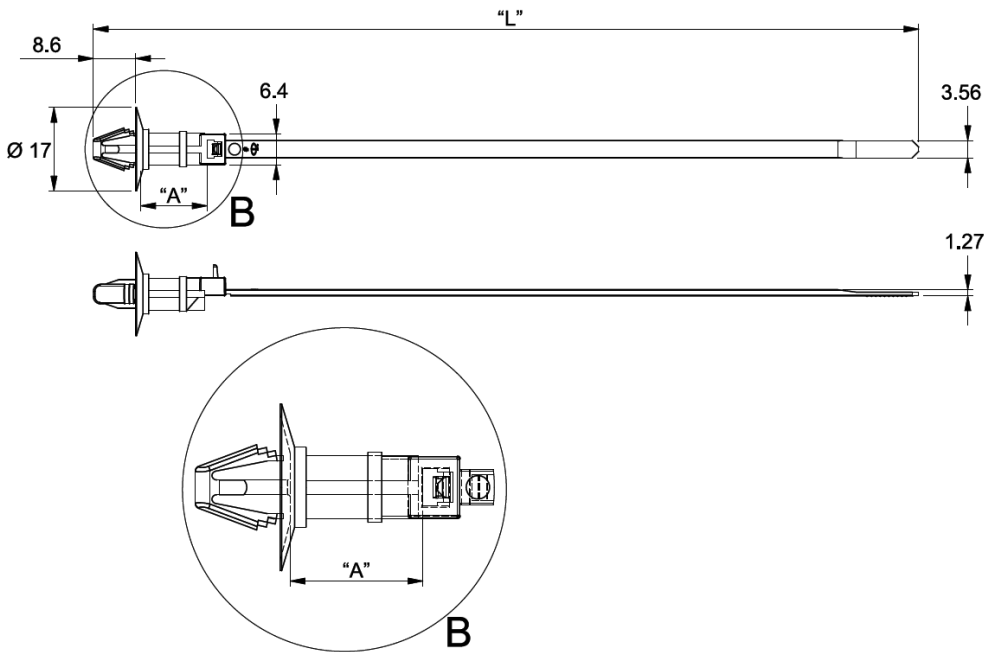


## WIT-30RCA - Cupped Cable Ties



**Details:**

- **Material: UL94 V-2, Nylon 6/6, RMS-01\***
- **Material: UL94 V-2, UV Stabilized Nylon 6/6, RMS-46\***
- **Material: UL94 V-2, Heat Stabilized Nylon 6/6, RMS-47\***
- **Material: UL94 V-0, Nylon 6/6, RMS-19\***
- **Color: see table**
- **Standard Pack: 1000/Bag**

Symbol	Tensile strength	Length L	Max. cable bundle diameter	A	Mounting hole diameter range	Panel thickness range	Material	Flammability	Color
	[daN]	[mm]	[mm]	[mm]	[mm]	[mm]			
WIT-30RCA-8-HS-M	13	168.3	31.8	13.5	6.0 - 6.5	0.6 - 2.5	PA 66 heat stabilized	UL94 V-2	black