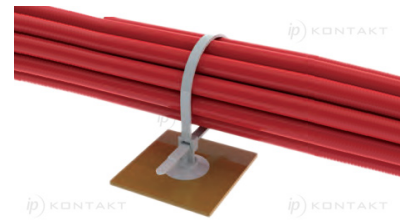
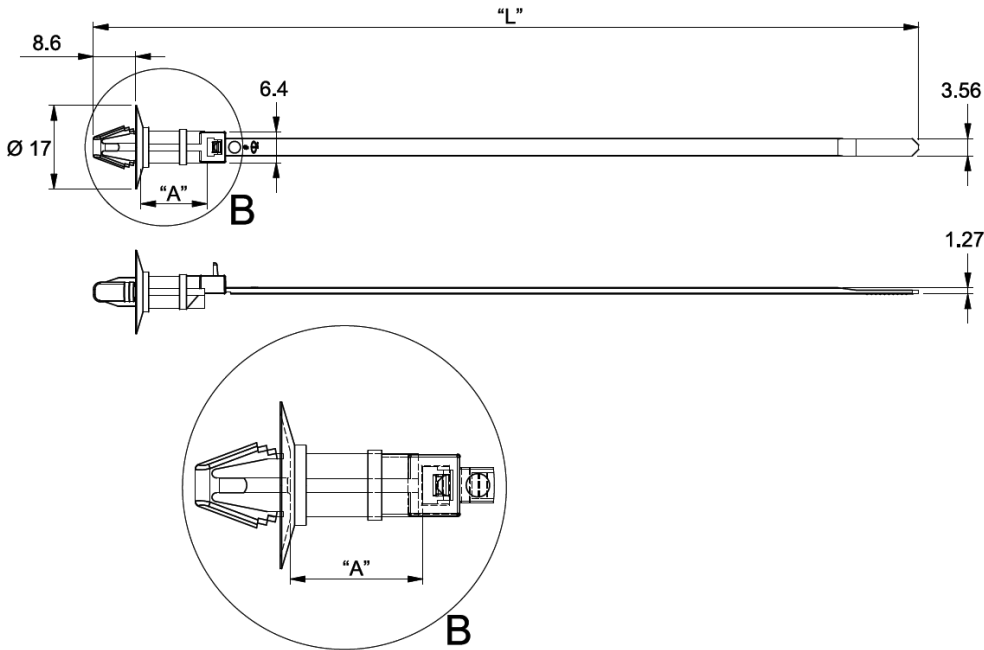


## WIT-30RCA - Cupped Cable Ties



**Details:**

- **Material:** UL94 V-2, Nylon 6/6, RMS-01\*
- **Material:** UL94 V-2, UV Stabilized Nylon 6/6, RMS-46\*
- **Material:** UL94 V-2, Heat Stabilized Nylon 6/6, RMS-47\*
- **Material:** UL94 V-0, Nylon 6/6, RMS-19\*
- **Color:** see table
- **Standard Pack:** 1000/Bag

Symbol	Tensile strength	Length L	Max. cable bundle diameter	A	Mounting hole diameter range	Panel thickness range	Material	Flammability	Color
	[daN]	[mm]	[mm]	[mm]	[mm]	[mm]			
WIT-30RCA-12-V0-M	13	174.6	31.8	19.8	6.0 - 6.5	0.6 - 2.5	PA 66	UL94 V-0	natural