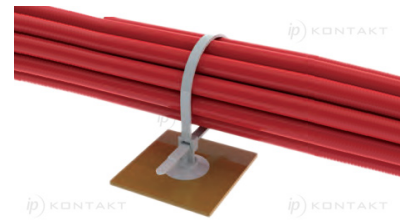
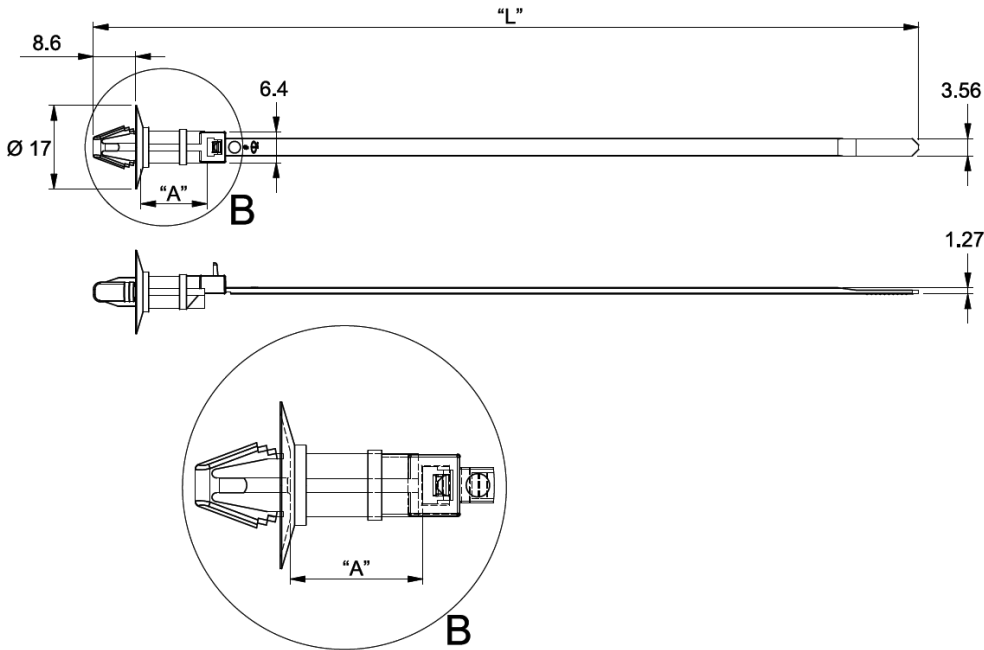


WIT-30RCA - Cupped Cable Ties



Details:

- **Material:** UL94 V-2, Nylon 6/6, RMS-01*
- **Material:** UL94 V-2, UV Stabilized Nylon 6/6, RMS-46*
- **Material:** UL94 V-2, Heat Stabilized Nylon 6/6, RMS-47*
- **Material:** UL94 V-0, Nylon 6/6, RMS-19*
- **Color:** see table
- **Standard Pack:** 1000/Bag

| Symbol | Tensile strength | Length L | Max. cable bundle diameter | A | Mounting hole diameter range | Panel thickness range | Material | Flammability | Color |
|-------------------|------------------|----------|----------------------------|------|------------------------------|-----------------------|-----------------------|--------------|-------|
| | [daN] | [mm] | [mm] | [mm] | [mm] | [mm] | | | |
| WIT-30RCA-12-HS-M | 13 | 174.6 | 31.8 | 19.8 | 6.0 - 6.5 | 0.6 - 2.5 | PA 66 heat stabilized | UL94 V-2 | black |