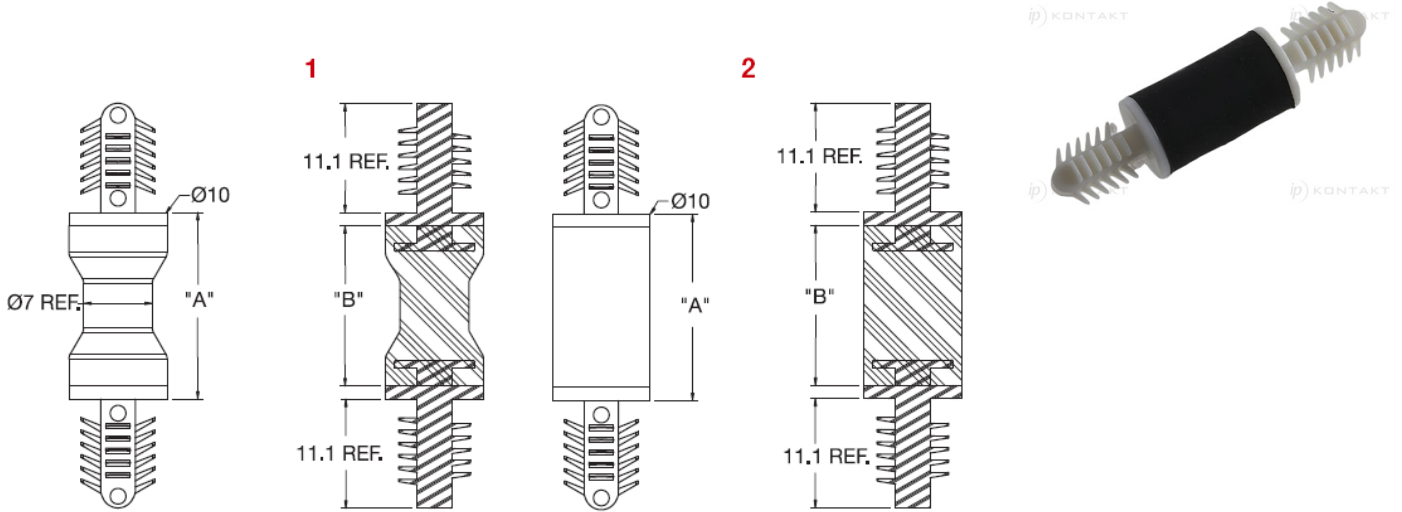


## VD - Vibration and Shock Dampening Spacers



**Details:**

- **Fix material: UL94 V0 Nylon 6/6, RMS-169\*;** Color: natural
- **Spacer material: UL94 HB TPE 35 Shore A, RMS-167\*;** Color: black
- **Standard pack: 1000/Bag**

Symbol	Height A ±0.8	B	Max. load	Type	Top mounting hole dia. ±0.08	Top panel thickness range	Bottom mounting hole dia. ±0.08	Bottom panel thickness range
	[mm]				[mm]	[N]	[mm]	[mm]
VD-7	24.7	22	7.1	2	6.35	1.8 - 7.9	6.35	1.8 - 7.9