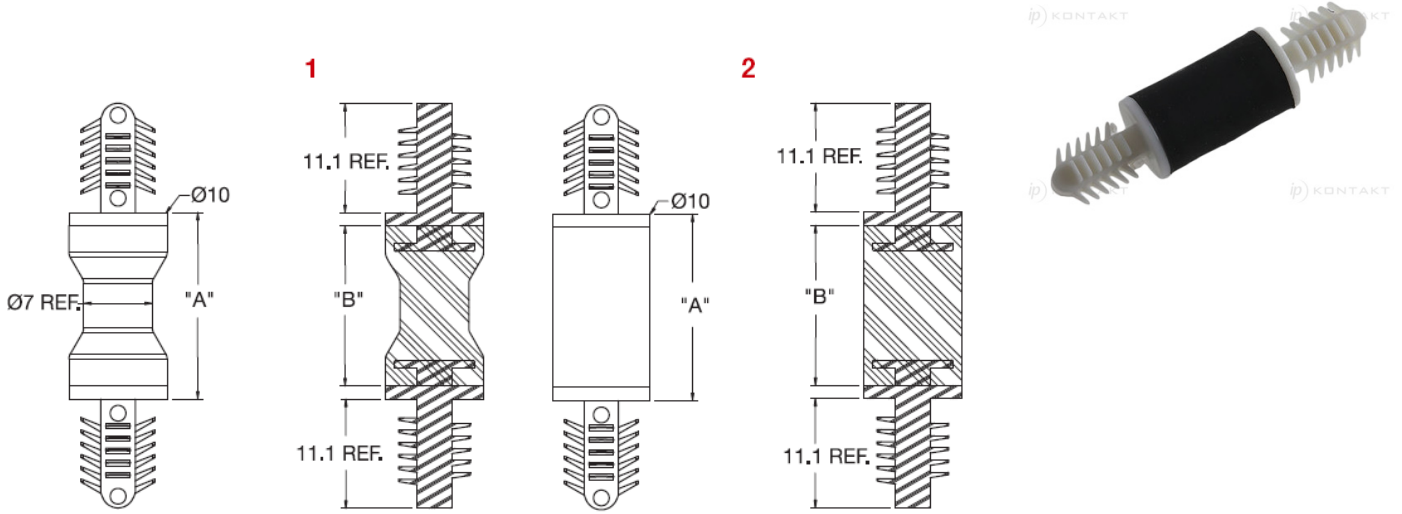


VD - Vibration and Shock Dampening Spacers



Details:

- **Fix material:** UL94 V0 Nylon 6/6, RMS-169*; **Color:** natural
- **Spacer material:** UL94 HB TPE 35 Shore A, RMS-167*; **Color:** black
- **Standard pack: 1000/Bag**

Symbol	Height A ±0.8	B	Max. load	Type	Top mounting hole dia. ±0.08	Top panel thickness range	Bottom mounting hole dia. ±0.08	Bottom panel thickness range
	[mm]				[mm]	[mm]	[mm]	[mm]
VD-5	12.4	9.7	7.1	2	6.35	1.8 - 7.9	6.35	1.8 - 7.9