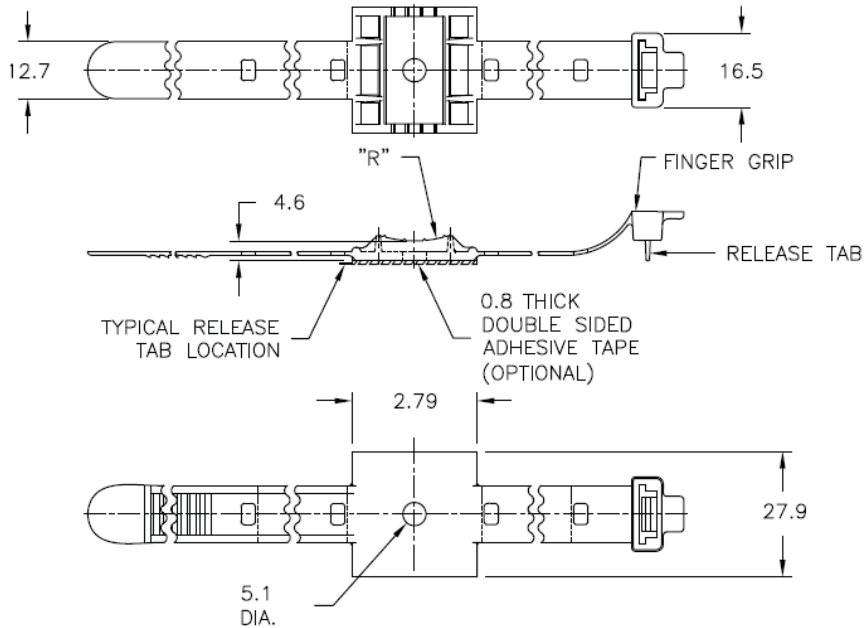


UMS - Universal Mounting Strap



Details:

- **Material:** UL94 V2 Nylon 6/6, RMS-45*
- **Color:** Black
- **Standard Pack:** 100/Bag

Symbol	Mounting method	Max. cable bundle diameter	Tensile strength	R	Material	Flammability	Color
		[mm]	[daN]	[mm]			
UMS-16-45	M4 or #6 Screw or Rivet	25.4	22.68	12.7	PA 66	UL94 HB	black