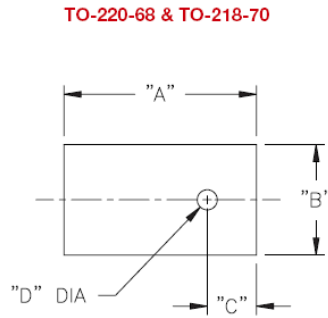
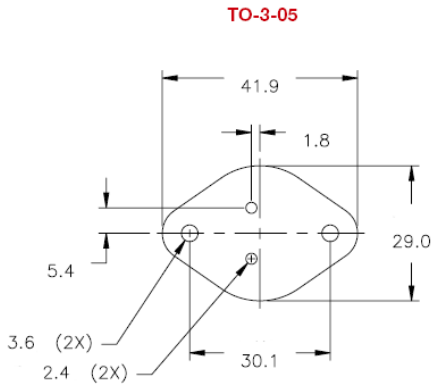


TO - Transistor Insulator Pad



Details:

- **Material: 0.18 Thick Silicone rubber and fiberglass composite, RMS-33***
- **Color: Gray**
- For use with Richco Part #'s IEC-TO-220, IEC-TO-220V-18, IEC-TO-218 and IEC-TO-3
- SIL-PAD 400 Thickness: 0.18mm
- Volume Resistivity: 1ohm-m
- Isolation Voltage: 3.5kV
- Operating Temperature Range: -60°C to +180°C
- Thermal Resistance: 0.45°C/W
- Standard Pack: 500/Bag

Symbol	A	B	C	D	Material	Flammability	Color
	[mm]	[mm]	[mm]	[mm]			
TO-220-68	28.7	16	5.1	3.7	silicone ruber	UL94 HB	grey