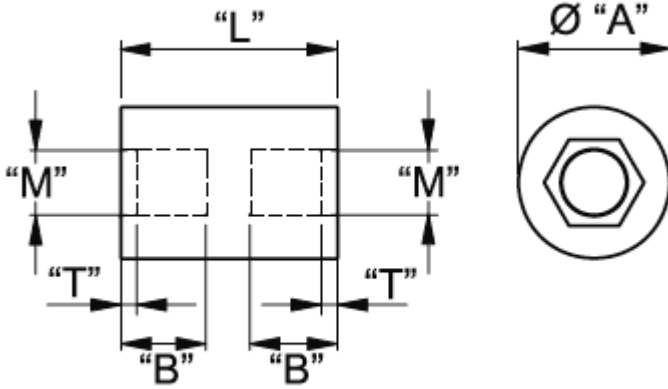


TNSP-I/I - Metric Low Voltage Insulators



Details:

- **Body material: polyamide 66**
- **Threads material: brass**
- **Color: natural**

| Symbol | Int. thread M | Length L | Diameter A | Int. thread length B | T | Material |
|----------------------|------------------|-------------|---------------|-------------------------|------|--------------|
| | | [mm] | [mm] | [mm] | [mm] | |
| TNSP-M12-30.0-71-I/I | M12 | 71 | 30 | 25 | 2.62 | PA 66, brass |