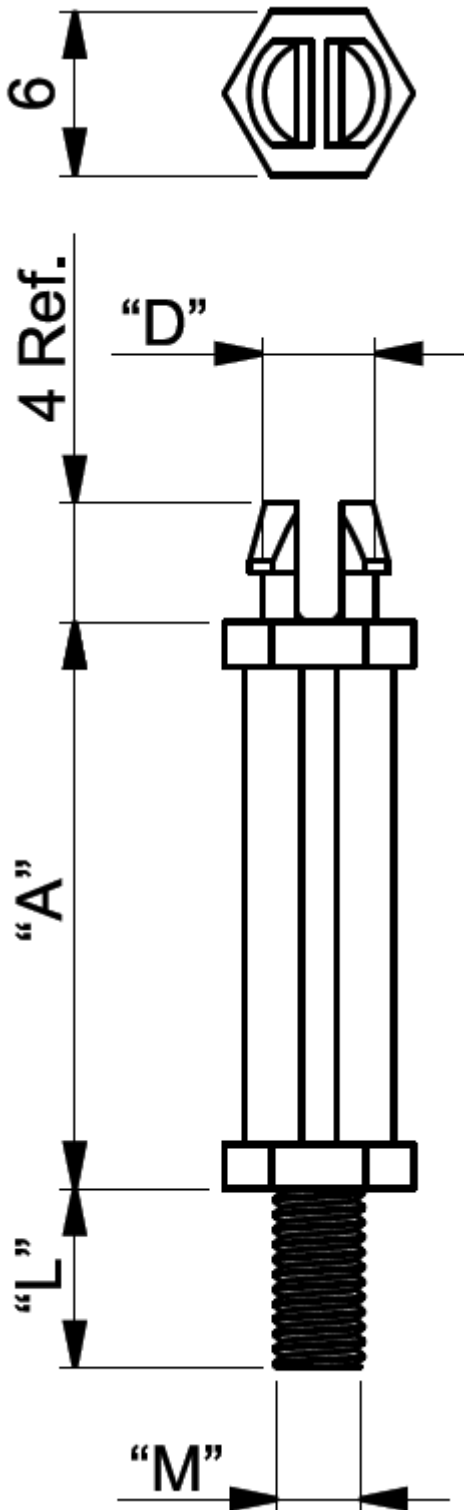


### TCBNS - Threaded Circuit Board Support



Details:

- **Material:** UL94 V2 Nylon 6/6, RMS-172\*
- **Color:** Black
- **Standard Pack:** 1000/Bag

Symbol	Height A	Top mounting hole dia. D	Top panel thickness	Ext. thread M	Ext. thread length L	Wrench size	Material	Flammability	Color
	[mm]	[mm]	[mm]		[mm]	[mm]			
TCBNS-M3-3	3	3	1.6	M3	6	6	PA 66	UL94 V-2	black