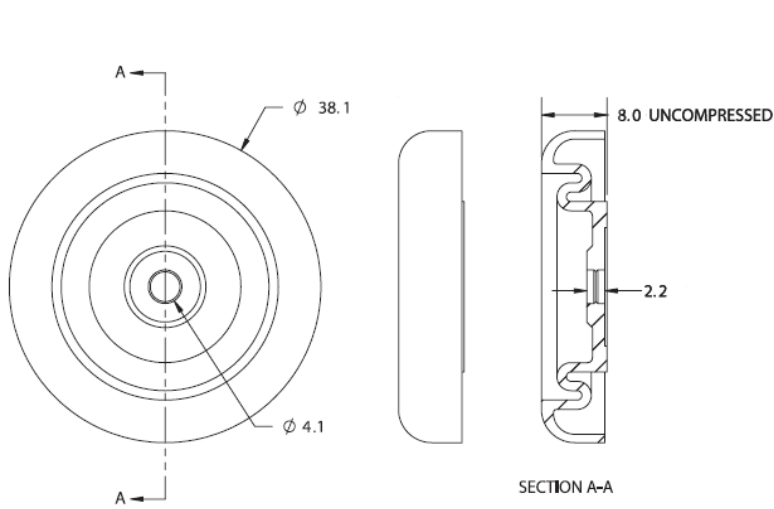


## SVF - Shock & Vibration Dampening Foot



**Details:**

- **Material: TPE**
- **Color: black**
- Standard pack: 1000/Bag

Symbol	Panel thickness range	Used with snap rivet	Material	Shore A hardness	Color
	[mm]				
SVF-1 1.3	0.3 - 1.3	SR - 4050	TPE	75	black