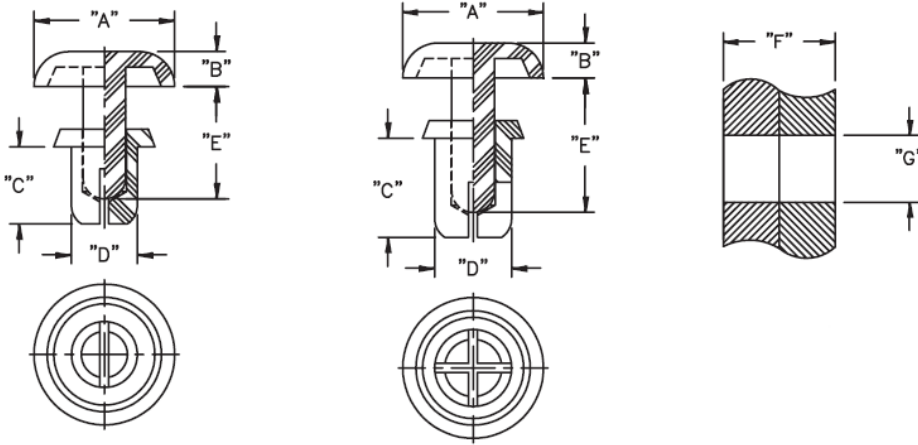


SR - Snap Rivets



Details:

- **SR Material: UL94 V2 Nylon 6**
- **SRVO Material: UL94 V0 Nylon 6/66**
- **Standard Pack: 1000/Bag**

Symbol	Mounting hole diameter range G	Max. load	Panel thickness range F	A	B	C	D	E	Rys. / Fig.	Material	Flammability	Color
	[mm]			[mm]	[mm]	[mm]	[mm]	[mm]				
SRV0-6080B	6.1 - 6.2	30	3.5 - 5.5	12	3	8	6	10	2	PA 66	UL94 V-0	black