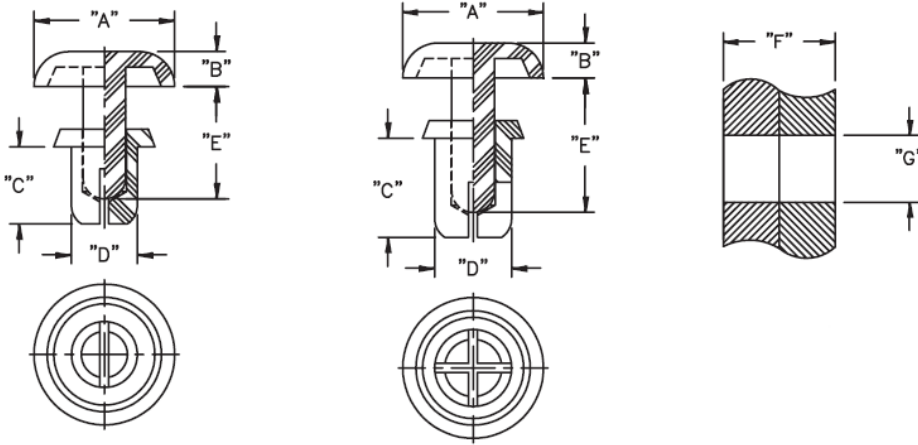


SR - Snap Rivets



Details:

- **SR Material: UL94 V2 Nylon 6**
- **SRVO Material: UL94 V0 Nylon 6/66**
- **Standard Pack: 1000/Bag**

| Symbol | Mounting hole diameter range G | Max. load | Panel thickness range F | A | B | C | D | E | Rys. / Fig. | Material | Flammability | Color |
|------------|--------------------------------|-----------|-------------------------|------|------|------|------|------|-------------|----------|--------------|-------|
| | [mm] | | | [mm] | [mm] | [mm] | [mm] | [mm] | | | | |
| SRV0-2032B | 2.1 - 2.2 | 3 | 1.3 - 2 | 4.2 | 1.2 | 3.2 | 2 | 3.8 | 1 | PA 66 | UL94 V-0 | black |