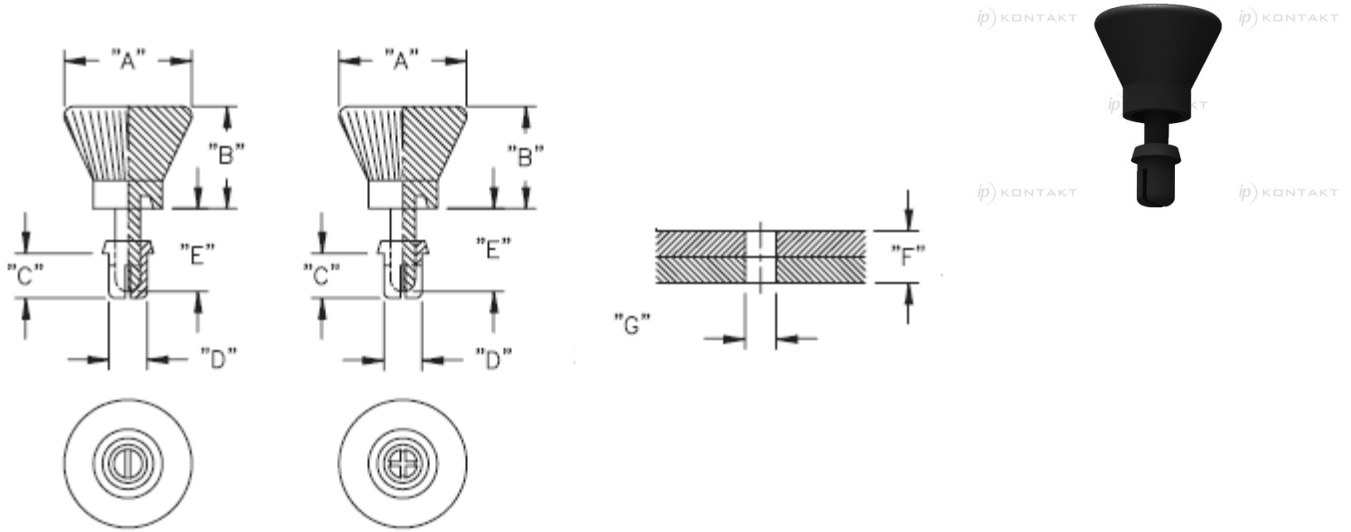


SRT - Snap Rivet T Type



Details:

- **Material: Nylon 6, UL 94 V-2, RMS-52 ***
- **Material: Nylon 66/6, UL 94 V-0, RMS-103 * on special order**
- **Color: black, white**
- **Standard pack: 1000 pcs**

Symbol	Mounting hole diameter range G	Panel thickness range F	A	B	C	D	E	Material	Flammability	Color
	[mm]	[mm]	[mm]	[mm]	[mm]	[mm]	[mm]			
SRT-4100	4.1 - 4.2	7.5 - 8.5	12	8	10	4	11.2	PA 6	UL94 V-2	black