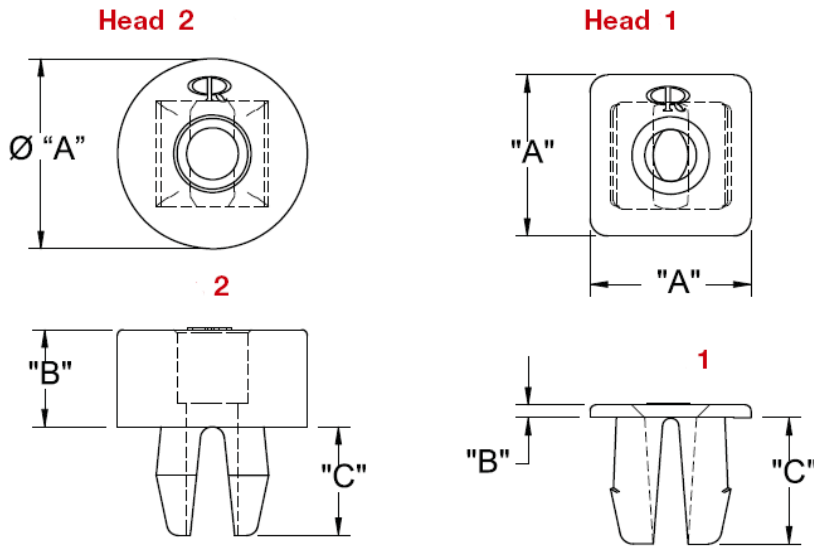


SRSG - Self-Retaining Screw Grommet



Details:

- **Material:** Nylon 6/6, UL 94 V-2, RMS-01*
- **Material:** Nylon 6/6, UL 94 V-0, RMS-19*
- **Mounting hole should be square shaped**
- **Color:** natural
- **Standard pack:** 1000 pcs

Symbol	A	B	C	Mounting hole width	Panel thickness	Screw	Typ	Head
	[mm]	[mm]	[mm]	[mm]	[mm]			
SRSG-10D	12.7	3.2 - 3.4	8.3	7.11 - 7.49	0.79 - 3.96	M4 or M5	1	2