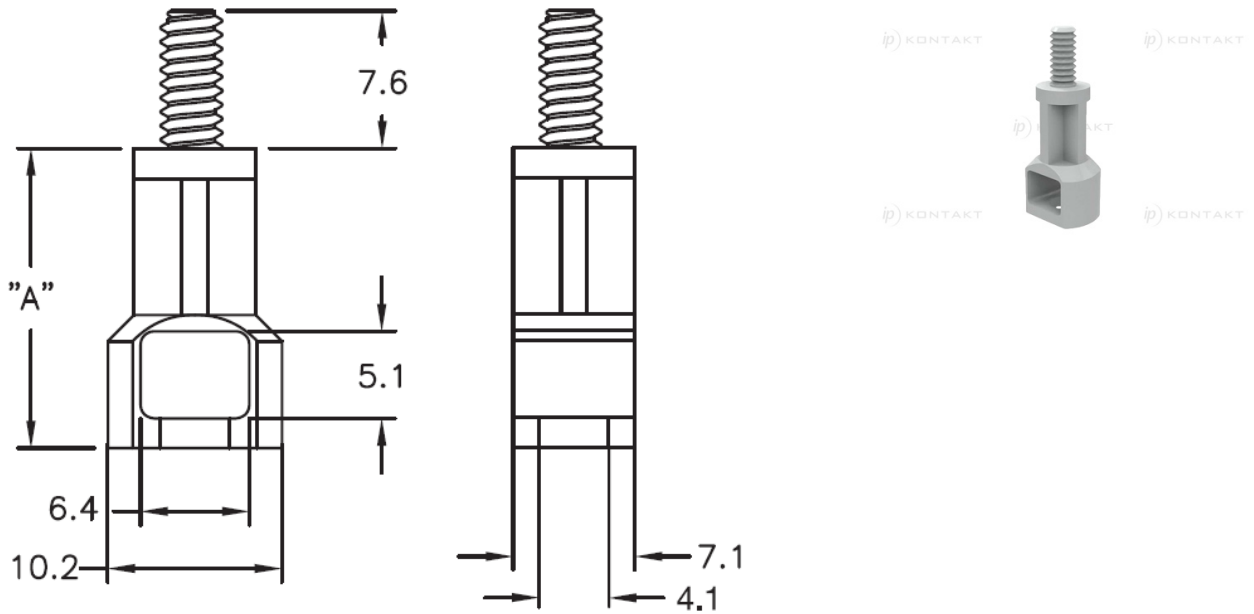


## SRSCBS - Snap Rivet Studded Circuit Board Support



**Details:**

- **Material: Nylon 6/6, UL 94 V-2, RMS-01\***
- **Material: Nylon 6/6, UL 94 V-0, RMS-19\***
- **Color: natural**
- **Standard pack: 1000 pcs**

Symbol	Height A ±0.4	Ext. thread	Material	Flammability	Color
	[mm]				
SRSCBS-M4-8-01	12.7	M4	PA 66	UL94 V-2	natural

Rivet Part No.		Panel thickness
		[mm]
SR-4050	SRVO-4050	0.7-1.6
SR-4060	SRVO-4060	1.5-2.7
SR-4070	SRVO-4070	2.7-3.7
SR-4080	SRVO-4080	3.7-4.7
SR-4090	SRVO-4090	4.7-5.7
SR-4100	SRVO-4100	5.7-6.7
SR-4120	SRVO-4120	7.2-8.7