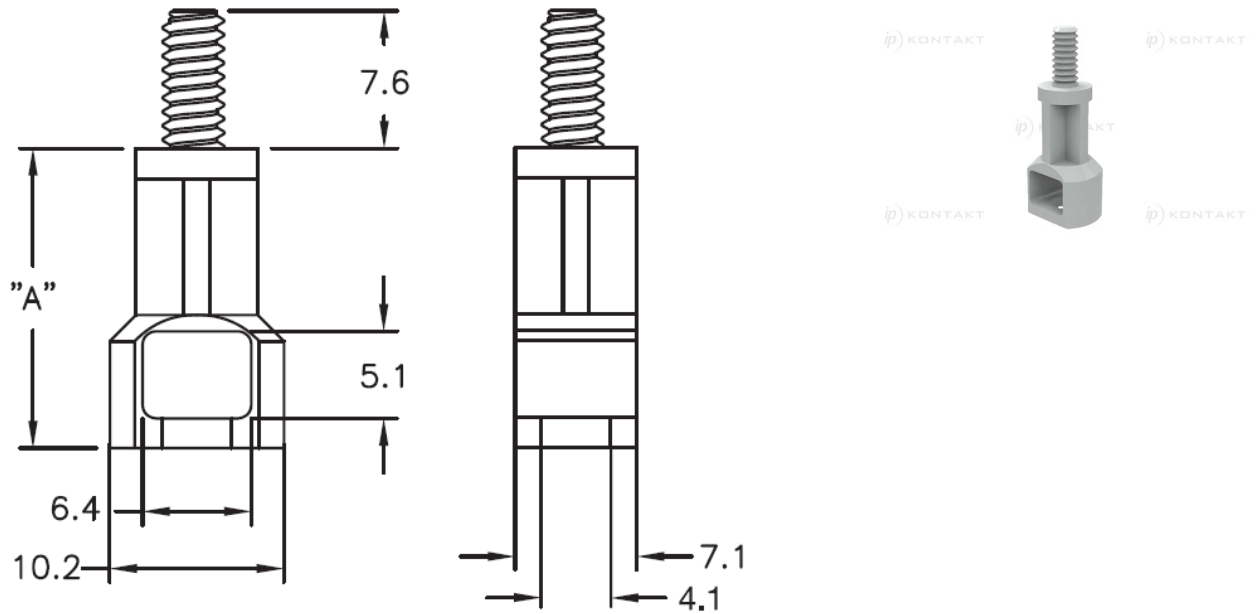


SRSCBS - Snap Rivet Studded Circuit Board Support



Details:

- **Material:** Nylon 6/6, UL 94 V-2, RMS-01*
- **Material:** Nylon 6/6, UL 94 V-0, RMS-19*
- **Color:** natural
- **Standard pack:** 1000 pcs

Symbol	Height A ±0.4	Ext. thread	Material	Flammability	Color
	[mm]				
SRSCBS-12-01	19.1	UNC 6-32	PA 66	UL94 V-2	natural

Rivet Part No.		Panel thickness
		[mm]
SR-4050	SRVO-4050	0.7-1.6
SR-4060	SRVO-4060	1.5-2.7
SR-4070	SRVO-4070	2.7-3.7
SR-4080	SRVO-4080	3.7-4.7
SR-4090	SRVO-4090	4.7-5.7
SR-4100	SRVO-4100	5.7-6.7
SR-4120	SRVO-4120	7.2-8.7