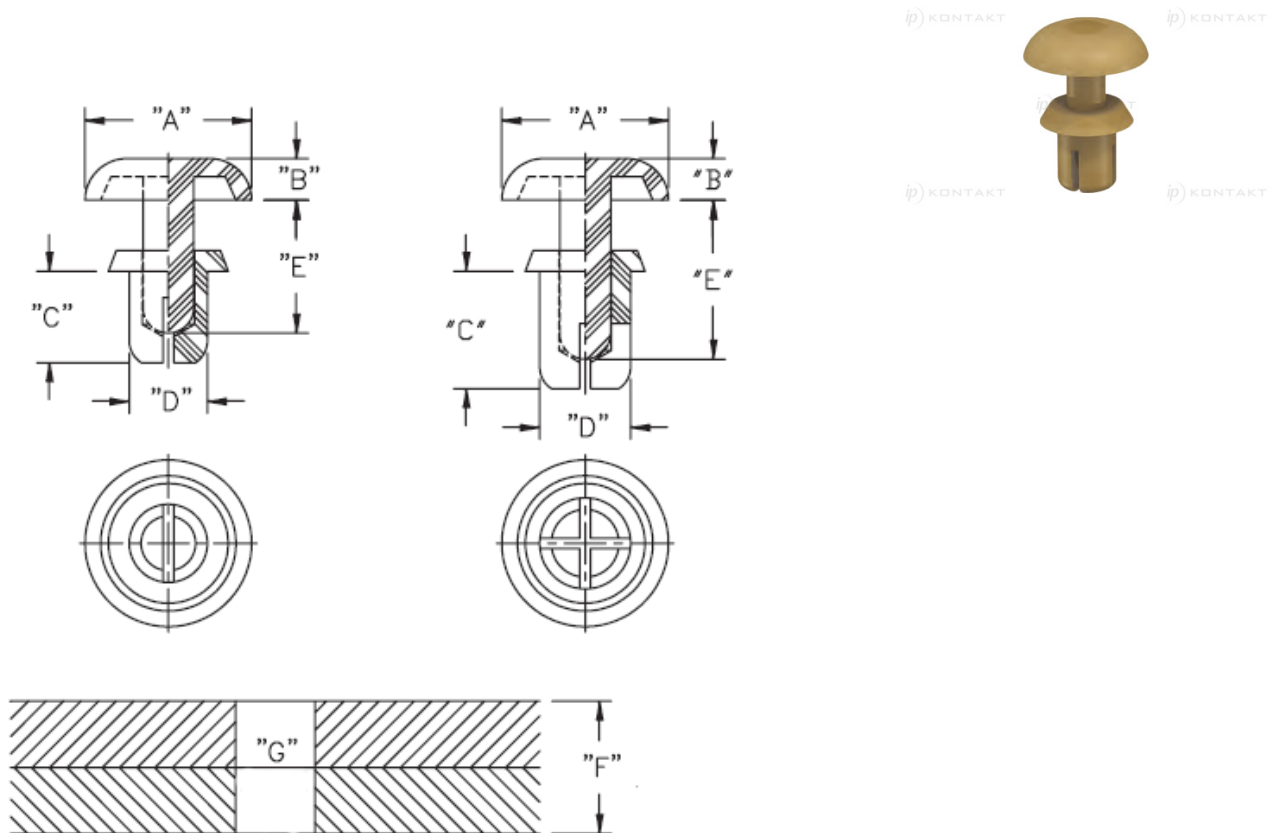


## SRHR - Snap Rivet Heat Resistant



**Details:**

- **Material:** UL94 V2 Nylon 4/6, RMS-109\*
- **Color:** Tan
- Working temperature upto: +152°C
- Standard Pack: 1000/Bag

Symbol	Mounting hole diameter range G	Panel thickness range F	A ±0.2	B ±0.2	C ±0.3	D	E ±0.3	Material	Flammability	Color
	[mm]	[mm]	[mm]	[mm]	[mm]	[mm]	[mm]			
SRHR-4060	4.1 - 4.2	3.5 - 4.5	8	1.8	6	4	7.1	PA 46	UL94 V-2	brown