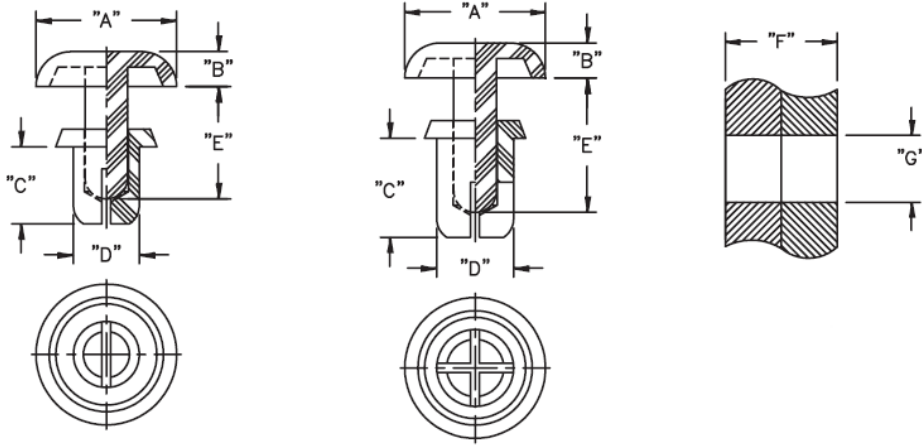


SR - Snap Rivets



Details:

- **SR Material: UL94 V2 Nylon 6**
- **SRVO Material: UL94 V0 Nylon 6/66**
- **Standard Pack: 1000/Bag**

| Symbol | Mounting hole diameter range G | Max. load [kg] | Panel thickness range F [mm] | A | B | C | D | E | Rys. / Fig. | Material | Flammability | Color |
|----------|-----------------------------------|-------------------|------------------------------------|------|------|------|------|------|-------------|----------|--------------|-------|
| | [mm] | | | [mm] | [mm] | [mm] | [mm] | [mm] | | | | |
| SR-6080B | 6.1 - 6.2 | 30 | 3.5 - 5.5 | 12 | 3 | 8 | 6 | 10 | 2 | PA 66 | UL94 V-2 | black |