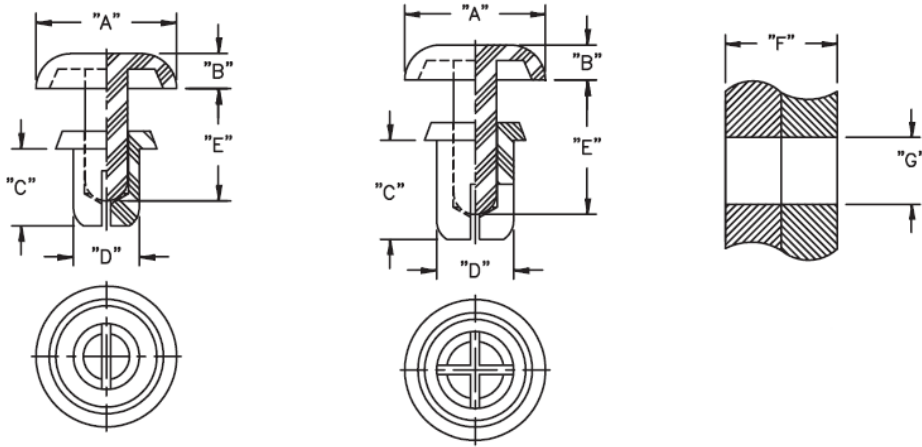


SR - Snap Rivets



Details:

- **SR Material: UL94 V2 Nylon 6**
- **SRVO Material: UL94 V0 Nylon 6/66**
- **Standard Pack: 1000/Bag**

Symbol	Mounting hole diameter range G	Max. load	Panel thickness range F	A	B	C	D	E	Fig.	Material	Flammability	Color
	[mm]			[mm]	[mm]	[mm]	[mm]	[mm]				
SR-5075B	5.1 - 5.2	25	4.5 - 5.5	9	2.2	7.5	5	8.5	2	PA 66	UL94 V-2	black