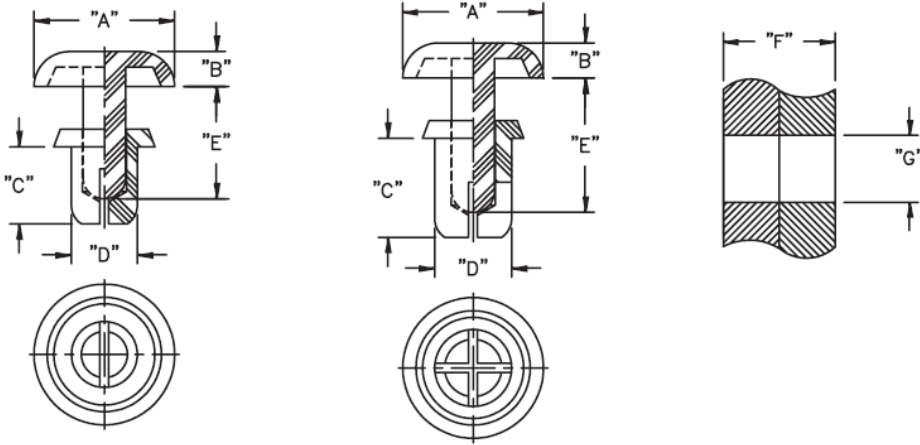


## SR - Snap Rivets



**Details:**

- **SR Material: UL94 V2 Nylon 6**
- **SRVO Material: UL94 V0 Nylon 6/66**
- **Standard Pack: 1000/Bag**

Symbol	Mounting hole diameter range G	Max. load	Panel thickness range F	A	B	C	D	E	Rys. / Fig.	Material	Flammability	Color
	[mm]			[mm]	[mm]	[mm]	[mm]	[mm]				
SR-3560B	3.6 - 3.7	12	3.7 - 4.6	6.4	1.6	6	3.5	7.1	2	PA 66	UL94 V-2	black