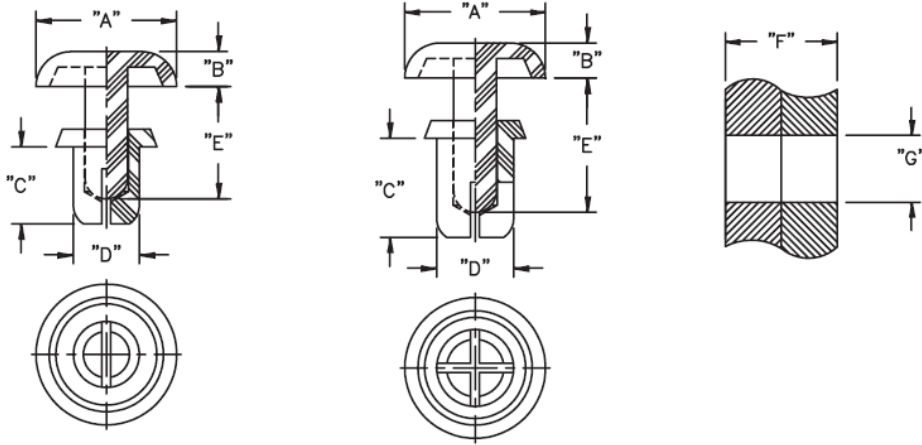


SR - Snap Rivets



Details:

- **SR Material: UL94 V2 Nylon 6**
- **SRVO Material: UL94 V0 Nylon 6/66**
- **Standard Pack: 1000/Bag**

| Symbol | Mounting hole diameter range G | Max. load | Panel thickness range F | A | B | C | D | E | Fig. | Material | Flammability | Color |
|----------|--------------------------------|-----------|-------------------------|-----|-----|---|-----|-----|------|----------|--------------|-------|
| | [mm] | | | | | | | | | | | |
| SR-3550B | 3.6 - 3.7 | 12 | 2.7 - 3.6 | 6.4 | 1.6 | 5 | 3.5 | 6.1 | 2 | PA 66 | UL94 V-2 | black |