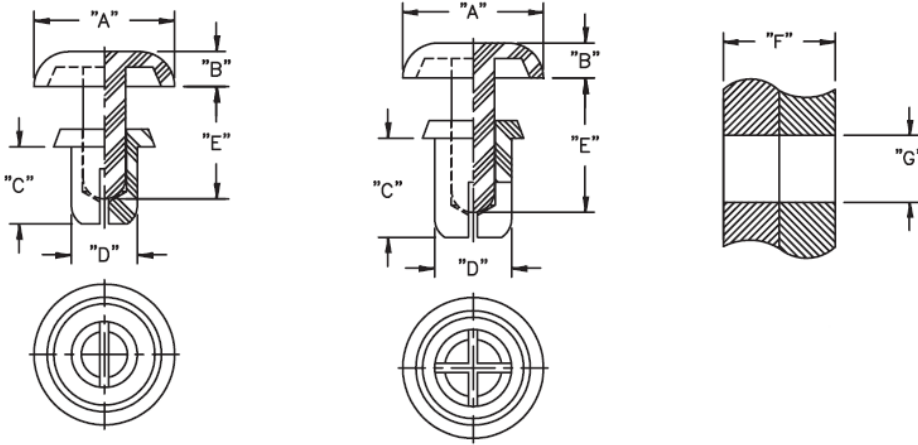


SR - Snap Rivets



Details:

- **SR Material: UL94 V2 Nylon 6**
- **SRVO Material: UL94 V0 Nylon 6/66**
- **Standard Pack: 1000/Bag**

Symbol	Mounting hole diameter range G	Max. load [kg]	Panel thickness range F [mm]	A	B	C	D	E	Rys. / Fig.	Material	Flammability	Color
	[mm]			[mm]	[mm]	[mm]	[mm]	[mm]				
SR-2632W	2.7 - 2.8	5	1 - 2	5	1.4	3.2	2.6	4.5	1	PA 66	UL94 V-2	white