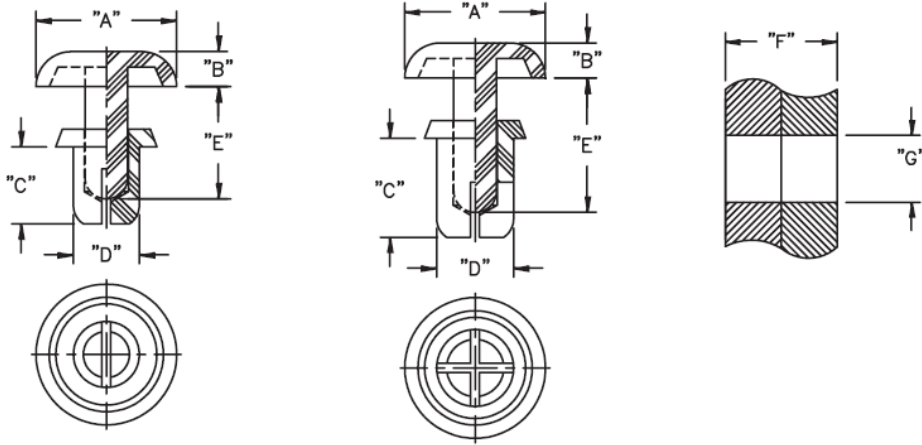


## SR - Snap Rivets



**Details:**

- **SR Material: UL94 V2 Nylon 6**
- **SRVO Material: UL94 V0 Nylon 6/66**
- **Standard Pack: 1000/Bag**

| Symbol   | Mounting hole diameter range<br>G | Max. load | Panel thickness range<br>F | A    | B    | C    | D    | E    | Rys. / Fig. | Material | Flammability | Color |
|----------|-----------------------------------|-----------|----------------------------|------|------|------|------|------|-------------|----------|--------------|-------|
|          | [mm]                              |           |                            | [kg] | [mm] | [mm] | [mm] | [mm] |             |          |              |       |
| SR-2056W | 2.1 - 2.2                         | 3         | 3.7 - 4.4                  | 4.2  | 1.2  | 5.6  | 2    | 7.2  | 1           | PA 66    | UL94 V-2     | white |