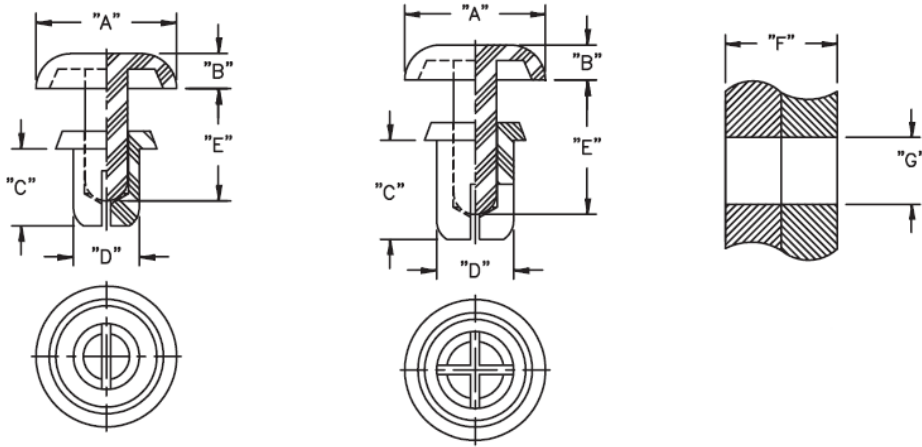


## SR - Snap Rivets



**Details:**

- **SR Material: UL94 V2 Nylon 6**
- **SRVO Material: UL94 V0 Nylon 6/66**
- **Standard Pack: 1000/Bag**

Symbol	Mounting hole diameter range G	Max. load	Panel thickness range F	A	B	C	D	E	Fig.	Material	Flammability	Color
	[mm]											
SR-2056B	2.1 - 2.2	3	3.7 - 4.4	4.2	1.2	5.6	2	7.2	1	PA 66	UL94 V-2	black