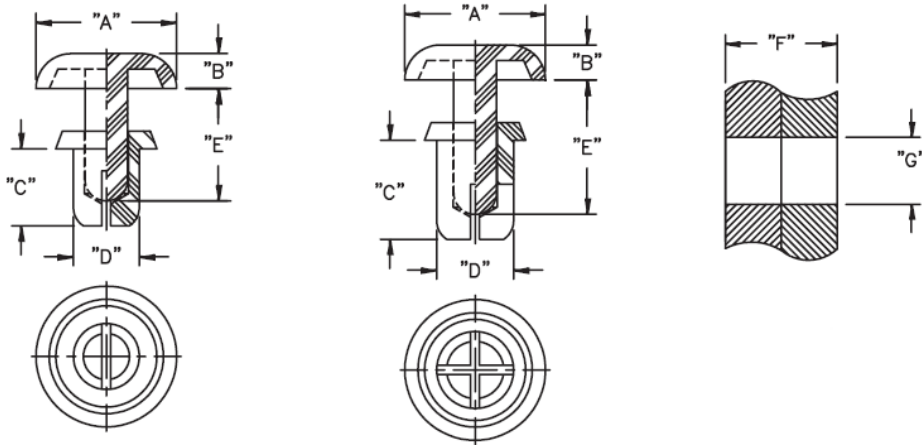


SR - Snap Rivets



Details:

- **SR Material: UL94 V2 Nylon 6**
- **SRVO Material: UL94 V0 Nylon 6/66**
- **Standard Pack: 1000/Bag**

Symbol	Mounting hole diameter range G	Max. load [kg]	Panel thickness range F [mm]	A	B	C	D	E	Rys. / Fig.	Material	Flammability	Color
	[mm]			[mm]	[mm]	[mm]	[mm]	[mm]				
SR-2032B	2.1 - 2.2	3	1.3 - 2	4.2	1.2	3.2	2	3.8	1	PA 66	UL94 V-2	black