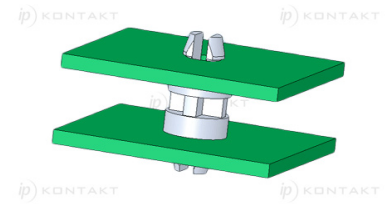
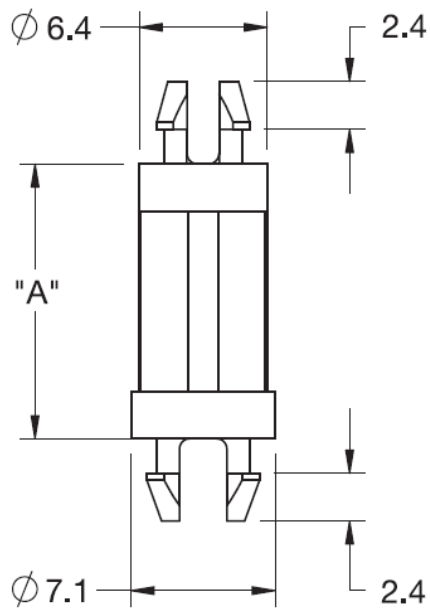


**SP-3 - Support Post**



Details:

- **Material: Nylon 6/6, UL 94 V-2, RMS-01\***
- **Material: Nylon 6/6, UL 94 V-0, RMS-19\***
- **Color: natural**
- **Standard pack: 1000 pcs**

Symbol	Height A $\pm 0.4$	Top mounting hole dia. $\pm 0.08$	Top panel thickness	Bottom mounting hole dia. $\pm 0.08$	Bottom panel thickness	Material	Flammability	Color
	[mm]	[mm]	[mm]	[mm]	[mm]			
SP3-8-19	12.7	4	1.57	4.75	1.57	PA 66	UL94 V-0	natural