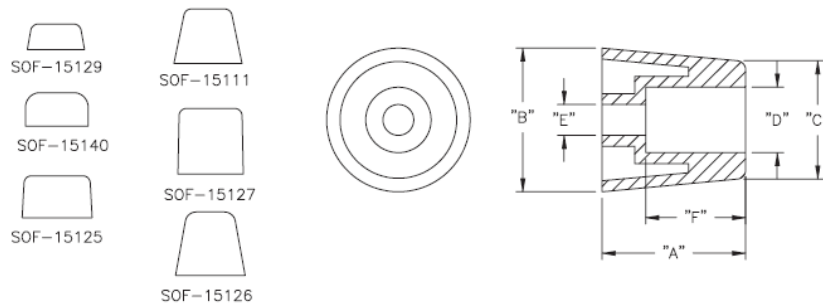


SOF - Screw on Feet

PROFILE



Details:

- **Material: Neoprene Rubber, RMS-190***
- **Color: Black**
- Standard Pack: 100/Bag

| Symbol | Height A | Ext. diameter B | C | D | E | F | Material | Color |
|-----------|-------------|--------------------|------|------|------|------|----------|-------|
| | [mm] | [mm] | [mm] | [mm] | [mm] | [mm] | | |
| SOF-15111 | 15.25 | 19 | 12.7 | 8 | 4 | 4.8 | TPR | black |