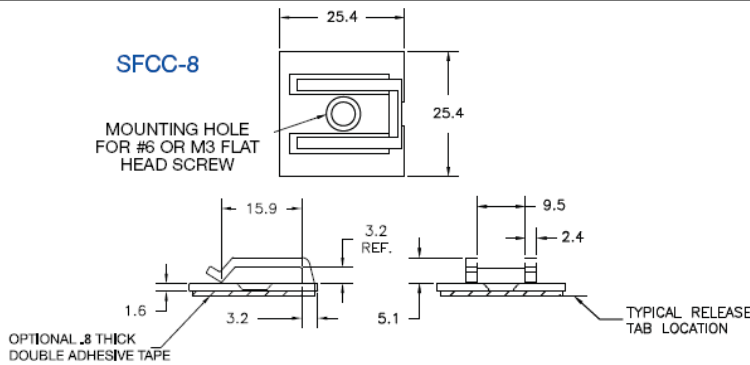
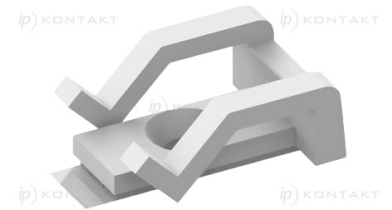
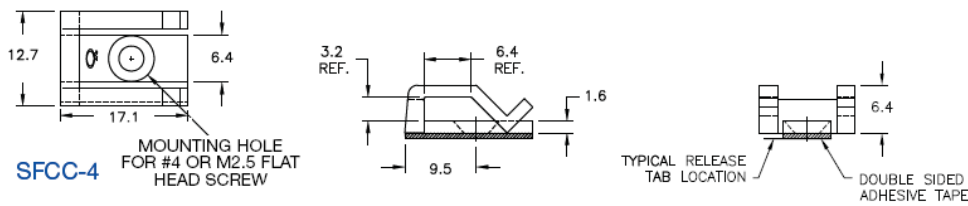


## SFCC - Split Flat Cable Clamp



**Details:**

- **Material:** UL94 V2 Nylon 6/6, RMS-01\*
- **Material:** UL94 V0 Nylon 6/6, RMS-19\*
- **Color:** Natural
- **Standard Pack:** 1000/Bag

Symbol	Mounting	Notes	Material	Flammability	Color
SFCC-8-19A4-RT	adhesive	Adhesive: RMS-324	PA 66	UL94 V-0	natural