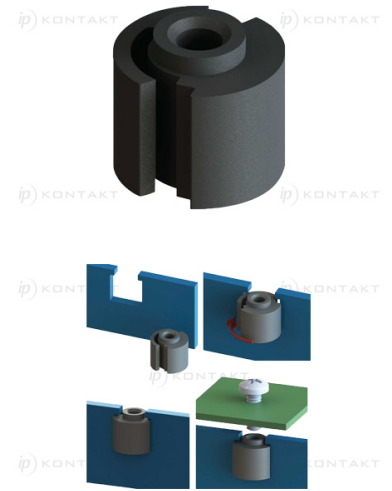
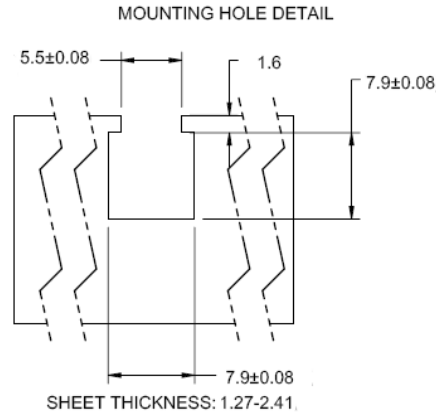
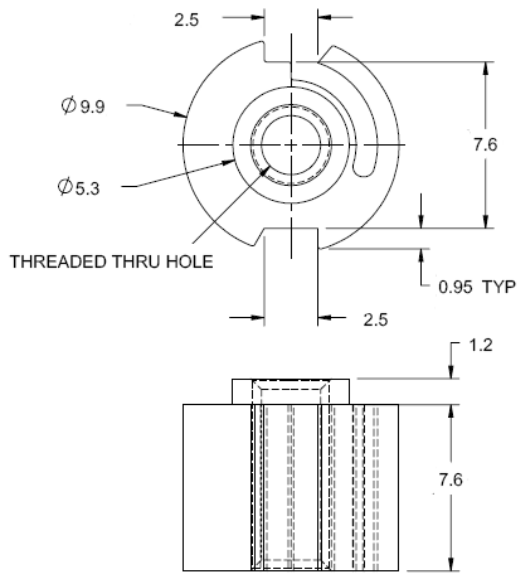


SEI - Sheet Edge Insert



Details:

- **Material:** UL94 V2 Nylon 6/6, RMS-01*
- **Color:** Black
- **Screwdriver required for installation**
- Standard Pack: 1000/Bag

Symbol	Thread	Panel thickness range	Top mounting hole dia.	Bottom mounting hole dia.	Type	Material	Flammability	Color
		[mm]	[mm]	[mm]				
SEI-1	UNC #6-32	1.27 - 2.41	5.5	7.9	1	PA 66	UL94 V-2	black