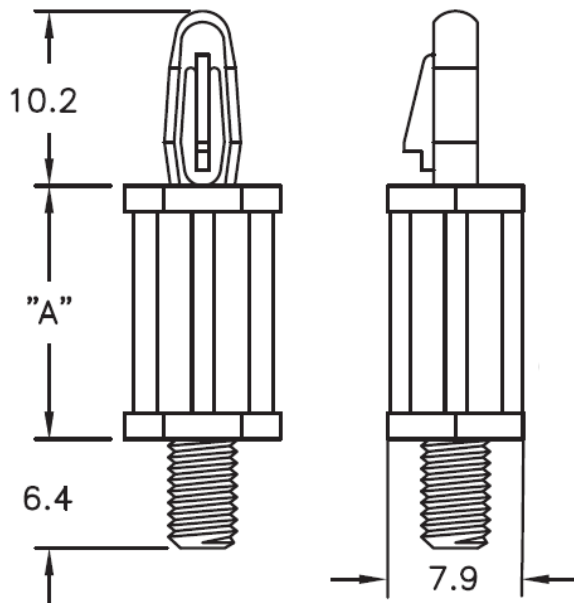


### SCBS - Studded Circuit Board Support



**Details:**

- **Material:** Nylon 6/6, UL 94 V-2, RMS-01\*
- **Material:** Nylon 6/6, UL 94 V-0, RMS-19\*
- **Color:** natural
- **Standard pack:** 1000 pcs

Symbol	Height A ±0.4	Ext. thread	Ext. thread length	Top mounting hole dia. ±0.08	Top panel thickness	Material	Flammability	Color
	[mm]		[mm]	[mm]	[mm]			
SCBS-8-19	12.7	UNC 8-32	6.4	4	1.57	PA 66	UL94 V-0	natural