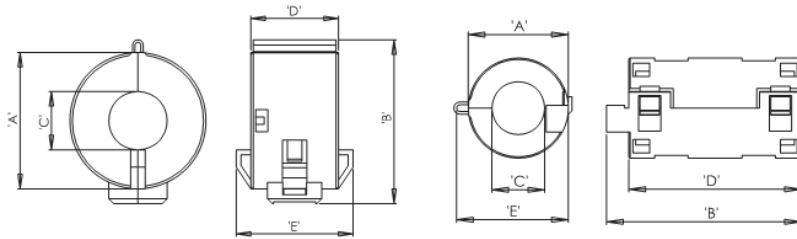
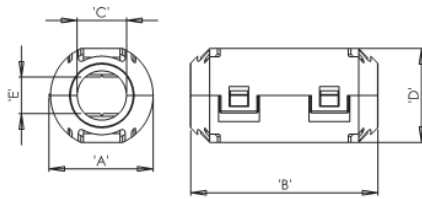


## RRC - Round Cables Suppression Cores

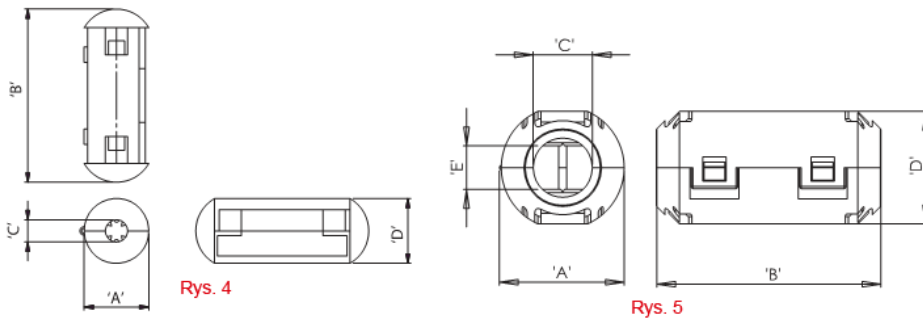


Rys. 1

Rys. 2

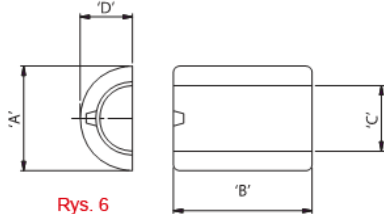


Rys. 3



Rys. 4

Rys. 5



Rys. 6



**Details:**

- Ferrite material: K5B, RMS-303\*
- Casing material: Black Nylon 6/6 RMS-244\*

Symbol	A	B	C	D	E	Impedance @25MHz	Impedance @100MHz	Fig.	Max. cable diameter	Standard pack
	[mm]	[mm]	[mm]	[mm]	[mm]	[Ω]	[Ω]		[mm]	[szt./pcs]
RRC-20-5-30-M-K5B	23	36	5	22	10	270	560	5	4	80