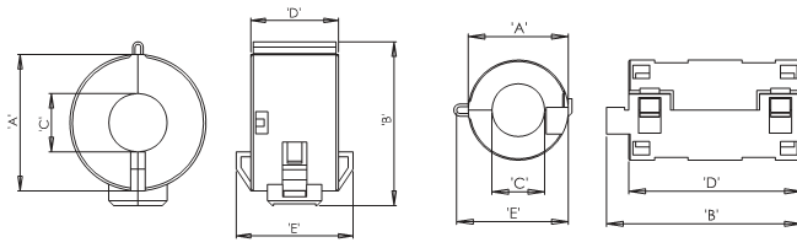
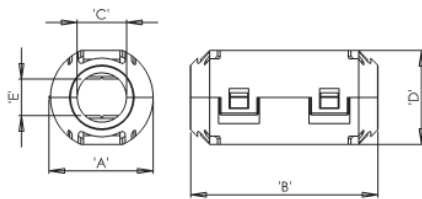


RRC - Round Cables Suppression Cores

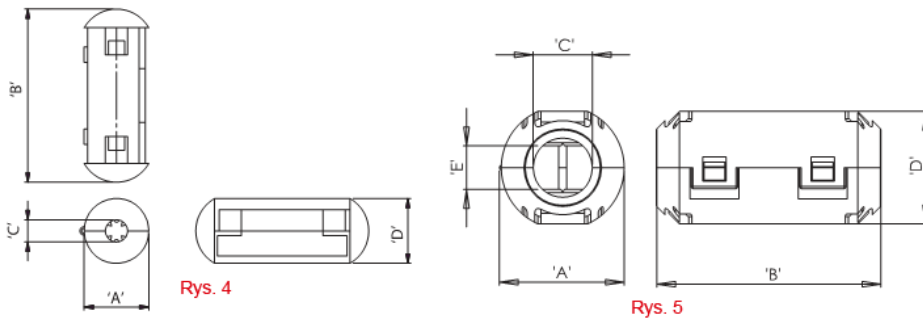


Rys. 1

Rys. 2

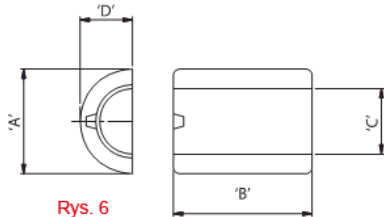


Rys. 3



Rys. 4

Rys. 5



Rys. 6



Details:

- Ferrite material: K5B, RMS-303*
- Casing material: Black Nylon 6/6 RMS-244*

Symbol	A	B	C	D	E	Impedance @25MHz	Impedance @100MHz	Fig.	Max. cable diameter	Standard pack
	[mm]	[mm]	[mm]	[mm]	[mm]	[Ω]	[Ω]		[mm]	[szt./pcs]
RRC-17-11-28-M-K5B	20.5	36	11	31.5	20.5	98	160	2	11	50