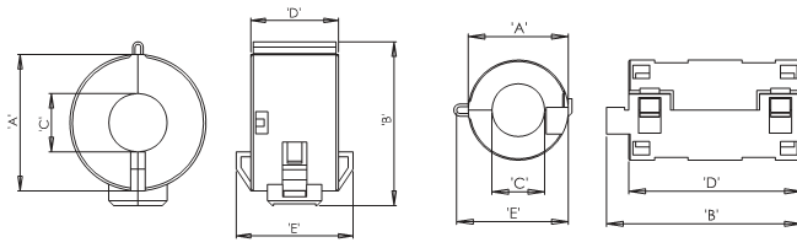
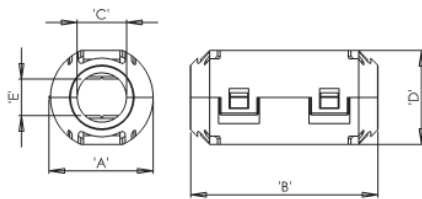


## RRC - Round Cables Suppression Cores

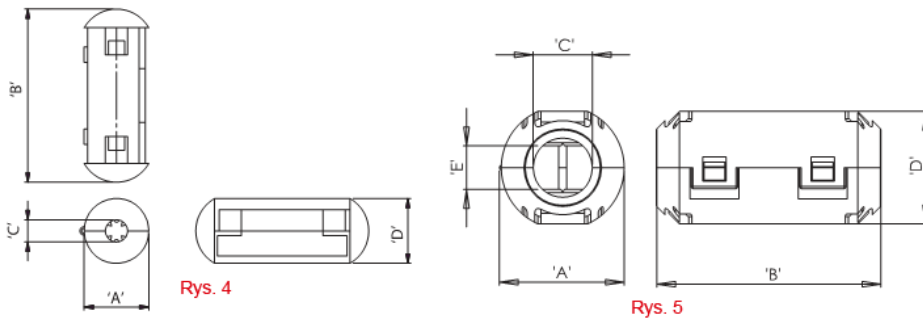


Rys. 1

Rys. 2

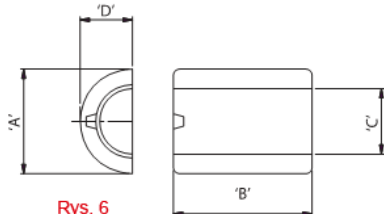


Rys. 3



Rys. 4

Rys. 5



Rys. 6



### Details:

- Ferrite material: K5B, RMS-303\*
- Casing material: Black Nylon 6/6 RMS-244\*

Symbol	A	B	C	D	E	Impedance @25MHz	Impedance @100MHz	Fig.	Max. cable diameter	Standard pack
	[mm]	[mm]	[mm]	[mm]	[mm]	[Ω]	[Ω]		[mm]	[szt./pcs]
RRC-10-5-20-M-K5B	13	25.5	5	12	2.4	93	158	3	3.5	60