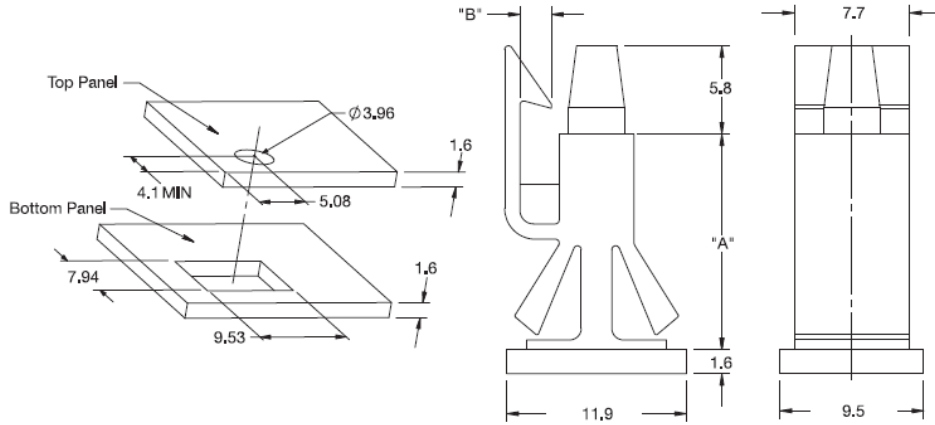


RLEHCBS - Reverse Locking Edge Holding Circuit Board Support



Details:

- **Material: Nylon 6/6, UL 94 V-2, RMS-01***
- **Material: Nylon 6/6, UL 94 V-0, RMS-19***
- **Color: black**
- **Standard pack: 1000 pcs**

Symbol	Height A ±0.4	B	Top mounting hole dia.	Top panel thickness	Bottom panel thickness	Material	Flammability	Color
	[mm]							
RLEHCBS-8-01BK	14.3	2.1	3.96	1.6	1.6	PA 66	UL94 V-2	black