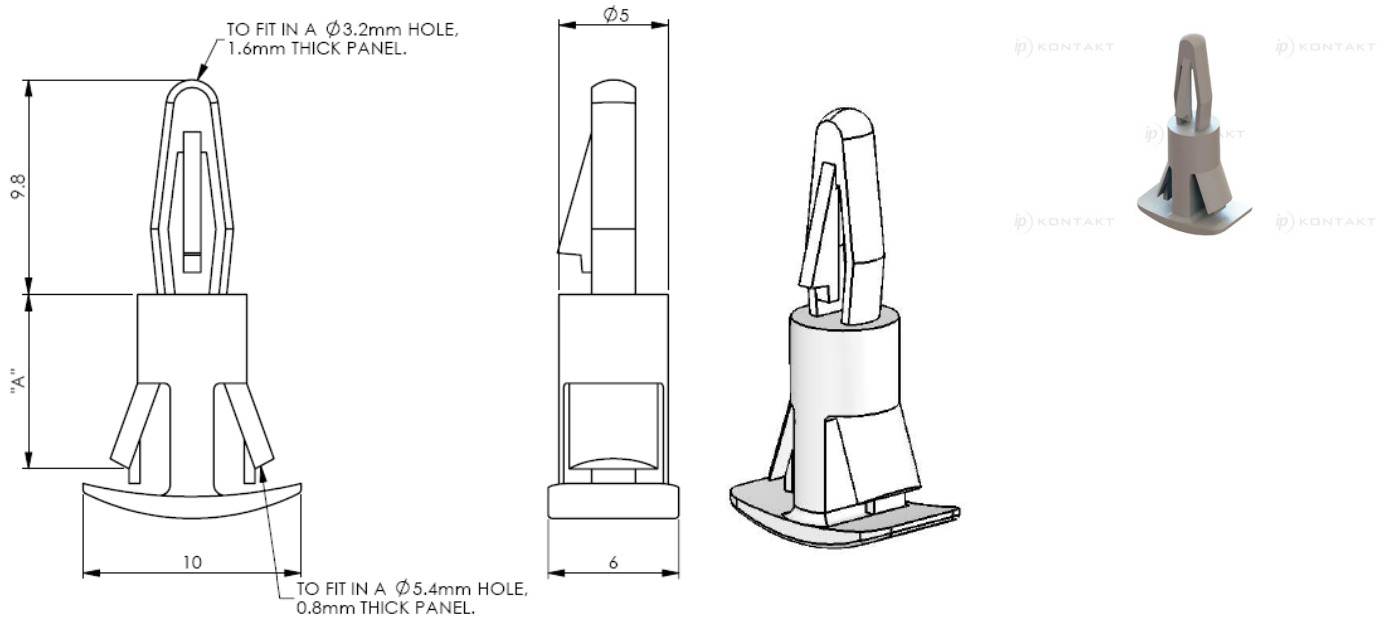


RLCBSC - Reverse Lock Circuit Board Support



Details:

- **Material:** UL94 V2 Nylon 6/6, RMS-01*
- **Color:** Natural
- **Standard Package:** 1000/Bag

Symbol	Height A ±0.4	Top mounting hole dia.	Top panel thickness	Bottom mounting hole dia.	Bottom panel thickness	Material	Flammability	Color
	[mm]	[mm]	[mm]	[mm]	[mm]			
RLCBSC-10-01-19	10	3.2	1.6	5.4	0.8	PA 66	UL94 V-0	natural