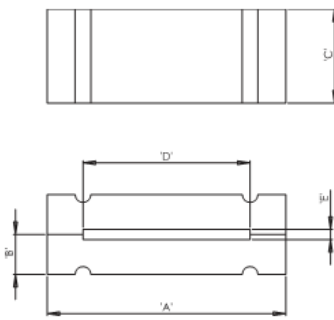
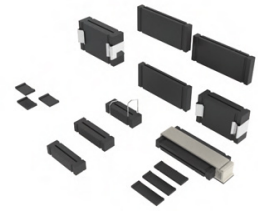
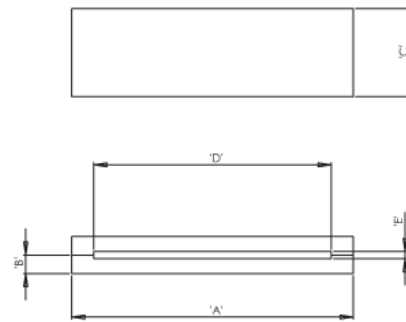


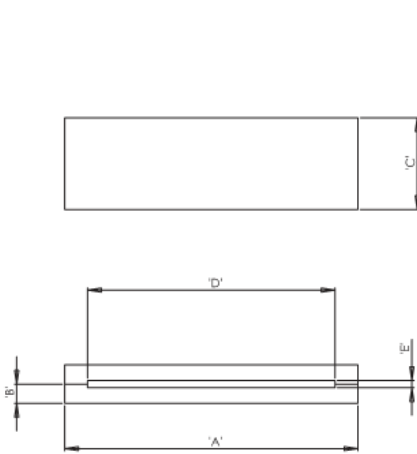
## RFP - Ribbon Cable Split Cores



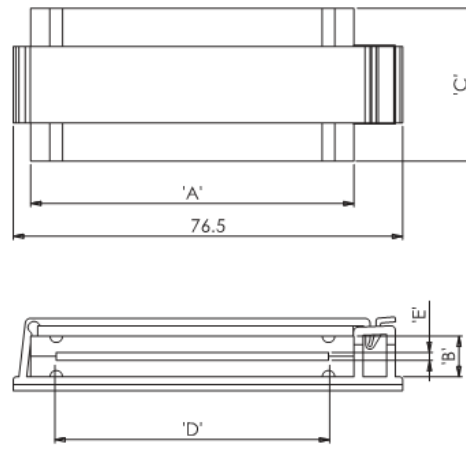
Rys. 1



Rys. 2



Rys. 3



Rys. 4  
samoprzylepny spód

**Details:**

- Ferrite Material: A5 RMS-303\*
- Casing Material: Nylon 6/6. RMS-244\*
- Metal Clamp & Spring: RMS-305

Symbol	Fig.	Mounting	A	B	C	D	E	Impedance @25MHz	Impedance @100MHz	Standard pack
			[mm]	[mm]	[mm]	[mm]	[mm]	[Ω]	[Ω]	[szt./pcs]
RFP2-34-5-A5	3	-	49.6	3.25	5	44	0.55	15	50	162