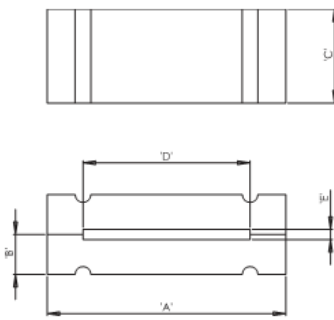
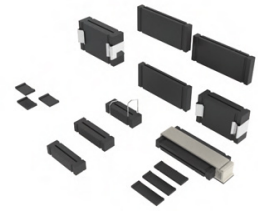
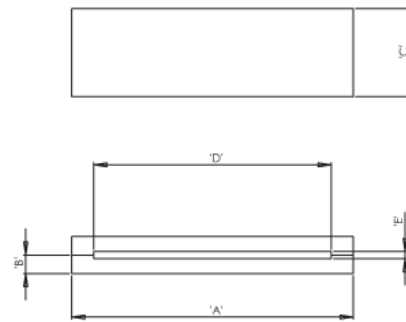


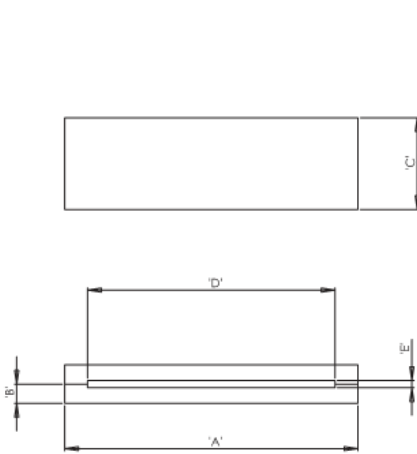
## RFP - Ribbon Cable Split Cores



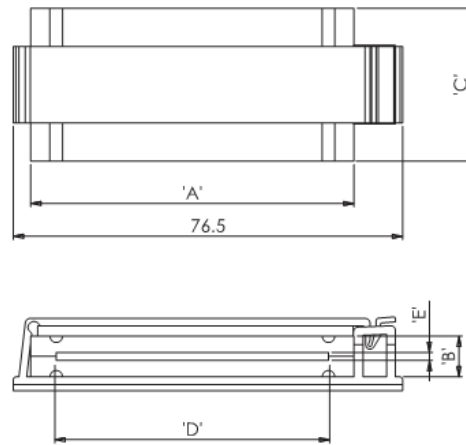
Rys. 1



Rys. 2



Rys. 3



Rys. 4  
samoprzylepny spód

### Details:

- Ferrite Material: A5 RMS-303\*
- Casing Material: Nylon 6/6. RMS-244\*
- Metal Clamp & Spring: RMS-305

Symbol	Fig.	Mounting	A	B	C	D	E	Impedance @25MHz	Impedance @100MHz	Standard pack
			[mm]	[mm]	[mm]	[mm]	[mm]	[Ω]	[Ω]	[szt./pcs]
RFP1-34-28-A5	1	metal clip	55.1	6.35	28.5	43.7	0.8	80	181	10