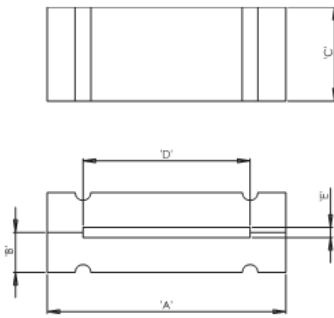
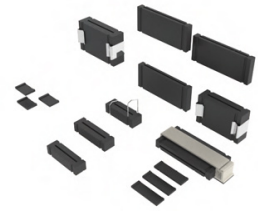
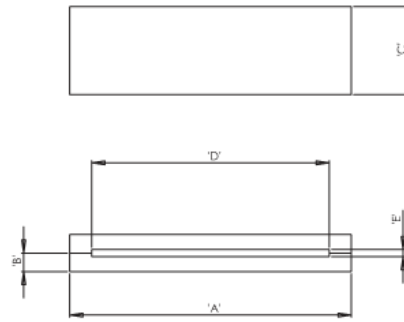


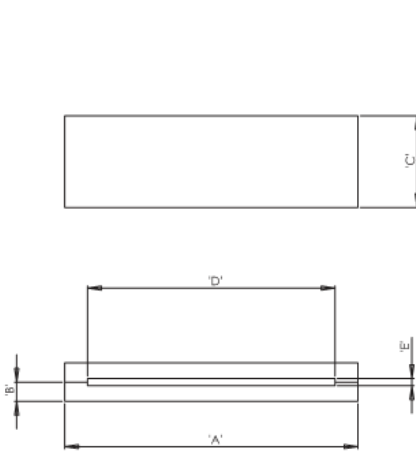
RFP - Ribbon Cable Split Cores



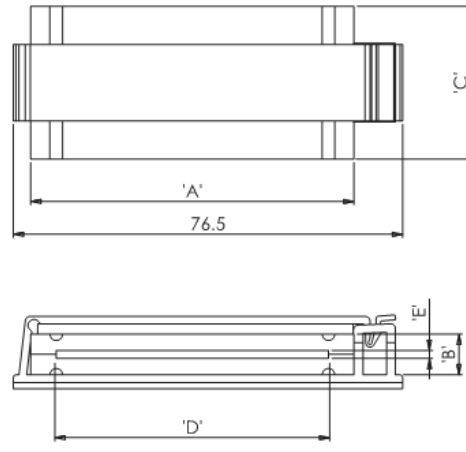
Rys. 1



Rys. 2



Rys. 3



Rys. 4
samoprzylepny spód

Details:

- Ferrite Material: A5 RMS-303*
- Casing Material: Nylon 6/6. RMS-244*
- Metal Clamp & Spring: RMS-305

| Symbol | Rys. / Fig. | Mounting | A | B | C | D | E | Impedance @25MHz | Impedance @100MHz | Standard pack |
|---------------|-------------|----------|------|------|------|------|------|------------------|-------------------|---------------|
| | | | [mm] | [mm] | [mm] | [mm] | [mm] | [Ω] | [Ω] | [szt./pcs] |
| RFP1-20-10-A5 | 1 | spring | 38 | 6.35 | 10 | 26.6 | 0.8 | 45 | 107 | 60 |