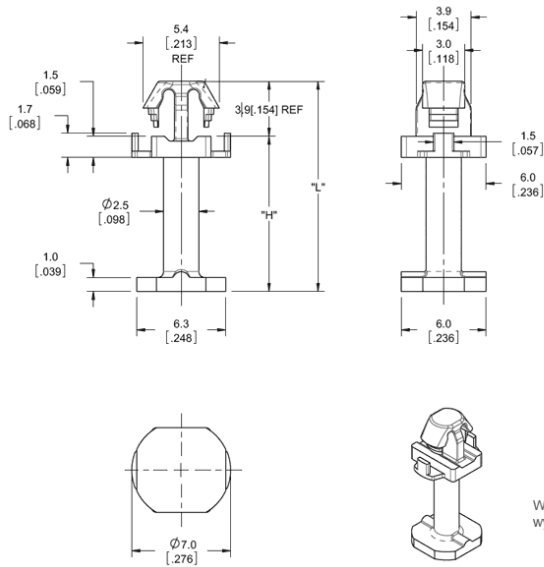


**PSE -**



W nawiasach kwadratowych  
wymiary w calach

**Details:**

- **Material: UL94 V-2 Nylon 6/6, RMS-01\***
- **Material: UL94 V-0 Nylon 6/6, RMS-19\***
- **Color: Natural**
- Top Hole: Snap-Lock Ø 4.0-4.2 mm
- Panel Thickness: 0.8-1.6 mm
- **Standard Pack: 1000/Bag**

Symbol	Height H	L	Mounting hole diameter range	Top panel thickness range	Material	Flammability	Color
	[mm]		[mm]	[mm]			
PSE-7M-19	7	10.9	4.0 - 4.2	0.8 - 1.6	PA 66	UL94 V-0	natural