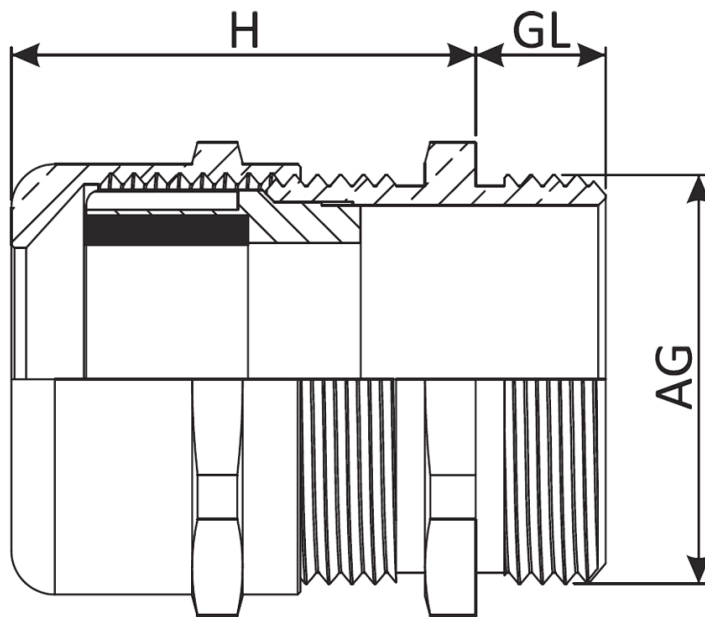


**OR-MDLA-PG - Brass cable gland with PG thread, nickel plated**



**Details:**

- Material:
  - Body: brass, nickel plated
  - Clamping insert: PA6 UL94 V-2
  - Sealing ring: TPV
  - O-Ring: NBR
- Thread: PG (DIN 40430)
- Protection class: IP68 (5 bar)
- Temperature range: -40°C to +100°C
- Easy to assemble
- Halogen free

| Symbol         | PG thread | H    | Thread length<br>GL | Wrench size | Cable diameter range | Material             |
|----------------|-----------|------|---------------------|-------------|----------------------|----------------------|
|                |           | [mm] | [mm]                | [mm]        | [mm]                 |                      |
| OR-MDLA-PG29-L | PG29      | 38   | 12                  | 40          | 18 - 25              | brass, nickel plated |