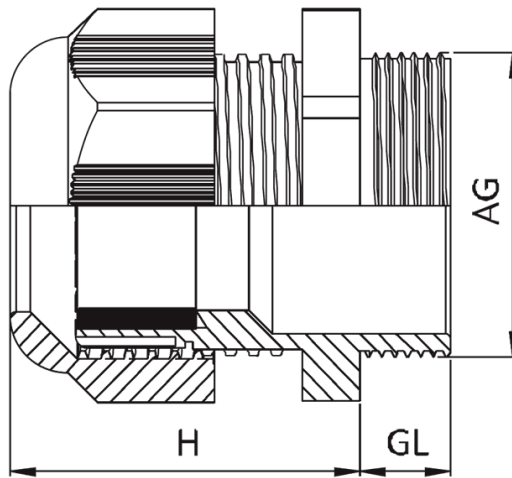


OR-DL-ATEX-BSP - BSP thread cable glands ATEX



Details:

- **Material: Polyamide PA6**
- **Color:**
 - **Black (RAL 9005),**
 - **Blue (RAL 5015),**
 - **Black Blue (RAL 9005, RAL 5015)**
- Protection class: IP 68 5 Bar
- Temperature range: -30°C to +100°C
- Protection code: II 2G Ex eb IIC Gb II 2D Ex tb IIIC Db
- Certificate: IEP 20 ATEX 0750 X ATEX, ROHS, CE, PT, TUV
- Application area: ZONEI, ZONE2, ZONE21, ZONE22, Gas Group HA, IIB, IIC
- Cable type: unarmored

Symbol	BSP thread	H	Thread length	Wrench size	Cable diameter range	Material	Color
	AG	[mm]	GL				
	[in]	[mm]	[mm]	[mm]	[mm]		
OR-DL-ATEX-G34-18-BLK	G3/4	38	10	33	13 - 18	PA 6	black