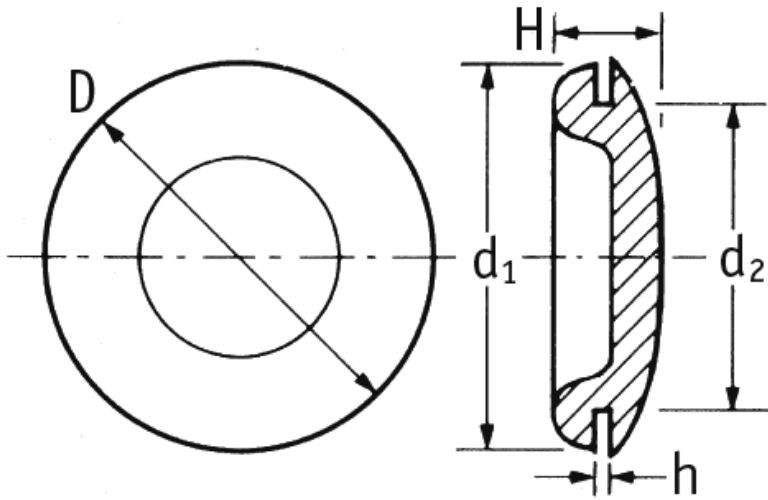


O-ZO - Acid-resistant Blanking Plug



Details:

- **Material: PVC or TPR**
- **Color: black**
- **Ideal for metal panels**
- **TPR withstands temperatures between -40°C and +135°C**
- **PVC withstands temperatures up to +50°C**
- **O-ZO-190-159-016-PVC is not undercut**

Symbol	Ext. diameter D	d1	d2	h	Height H	Material	Standard pack
	[mm]	[mm]	[mm]	[mm]	[mm]		[szt./pcs]
O-ZO-170-115-016-PVC	17	15.5	11.5	1.6	7	PVC	5000