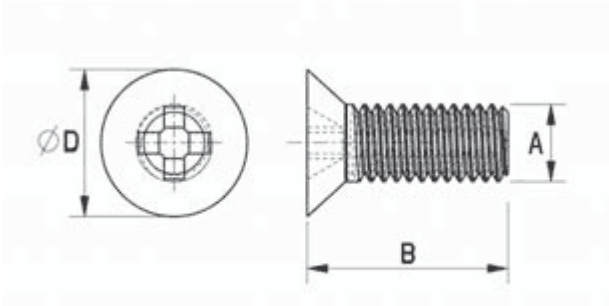


## O-PSR - Transparent Screw - Crossed Pan Head Countersunk



**Details:**

- **Material: Polycarbonate**
- Cross Head
- High transparency fastener
- Standard pack: 100 pcs

Symbol	Thread A	B	Head diameter D	Material	Color
		[mm]	[mm]		
O-PSR-M8-300	M8	30	16	PC	transparent