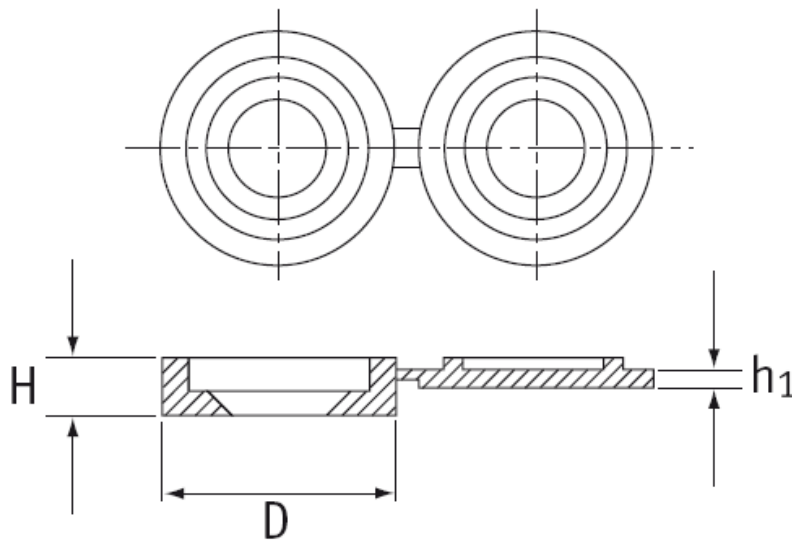


O-KU - Uniscrew Caps



Details:

- **Material: Polypropylene**
- Accept a range of screw sizes, reducing stock requirements
- Integral washer reduces fitting time
- Provide a neat and tidy finish

Symbol	Color	Diameter D	Height H	h1	Fits screw	Standard pack
		[mm]	[mm]	[mm]	[mm]	[szt./pcs]
O-KU-136-34-WH	white, matte	13.6	3.4	1	3.5 - 6.0	5000