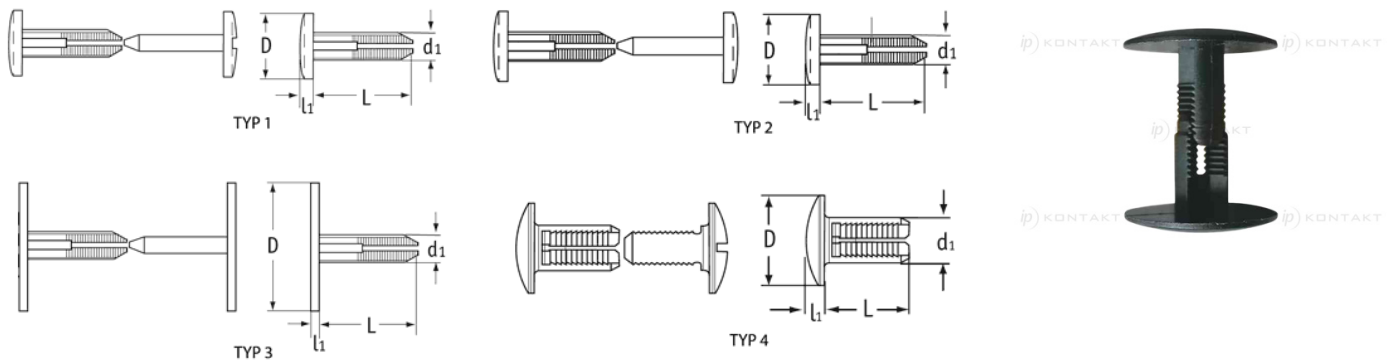


O-ACLP - Assembly clips



Details:

- **Material: Nylon 6.6**
- **Colour: black or white**
- Standard pack: 1000 pcs
- Type 1: 12mm Head with slot
- Type 2: 12mm Head without slot
- Type 3: 19mm Head without slot
- Type 4: 20mm Rounded Head with slot

| Symbol | Mounting hole diameter range | Panel thickness range | d ₁ | Head diameter ØD | Head height l ₁ | L | Type | Material | Color |
|---------------------|------------------------------|-----------------------|----------------|------------------|----------------------------|------|------|----------|-------|
| | [mm] | [mm] | [mm] | [mm] | [mm] | [mm] | | | |
| O-ACLP-2-180-05-BLK | 5 - 8 | 18.0 - 28.0 | 5 | 12 | 4 | 18 | 2 | PA 66 | black |