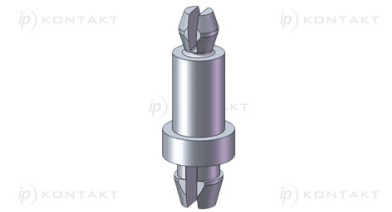
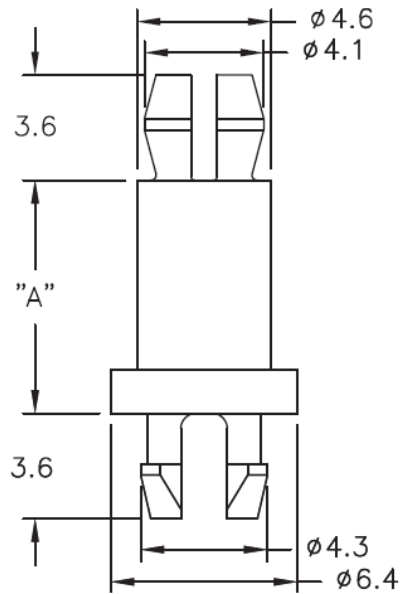


MSPE - Support Post



Details:

- **Material: Nylon 6/6, UL 94 V-2, RMS-01***
- **Material: Nylon 6/6, UL 94 V-0, RMS-19***
- **Color: natural**
- **Standard pack: 1000 pcs**

Symbol	Height A ± 0.4	Top mounting hole dia. ± 0.05	Top panel thickness	Bottom mounting hole dia. ± 0.05	Bottom panel thickness	Material	Flammability	Color
	[mm]	[mm]	[mm]	[mm]	[mm]			
MSPE-16-01	25.4	3.9	1.57	3.9	1.57	PA 66	UL94 V-2	natural