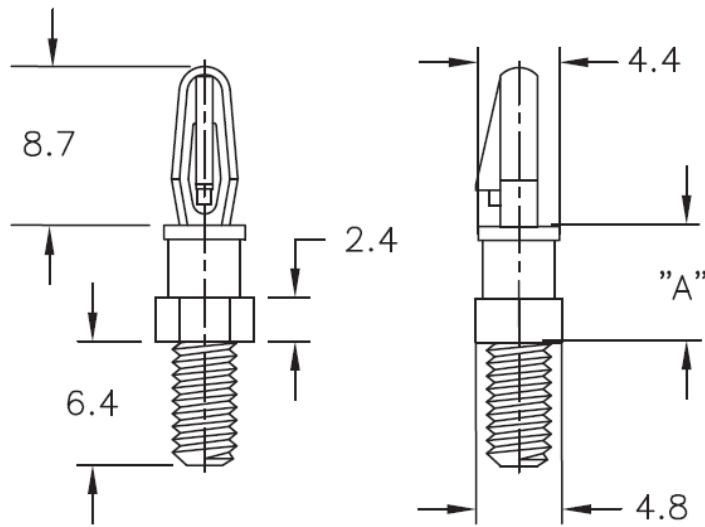


## MSCBSM - Studded Circuit Board Support Mini



**Details:**

- **Material:** Nylon 6/6, UL 94 V-2, RMS-01\*
- **Material:** Nylon 6/6, UL 94 V-0, RMS-19\*
- **Color:** natural
- **Standard pack:** 1000 pcs

Symbol	Height A ±0.4	Ext. thread	Ext. thread length	Top mounting hole dia. ±0.05	Top panel thickness	Material	Flammability	Color
	[mm]		[mm]	[mm]	[mm]			
MSCBSM-M4-5-01	7.9	M4	6.4	3.18	1.57	PA 66	UL94 V-2	natural